

# Tuning Tools



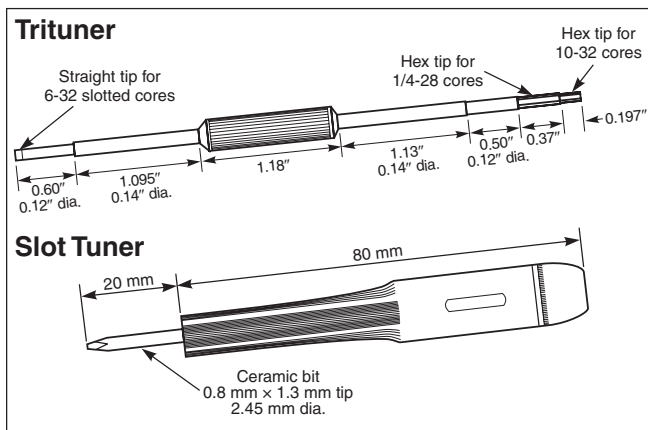
These exclusive tools are ideal for tuning inductors, capacitors and many other variable components.

The **Trituner™** is a unique 3-in-1 tool. Molded of rugged PET thermoplastic material, one end is stepped with a hex tip for 1/4-28 cores and a smaller hex tip for 10-32 cores. Both have a large surface area to prevent fragile cores from stripping or breaking. The other end has a molded-in ceramic straight tip for 6-32 slotted cores. This provides the strength of steel but is totally non-magnetic.

- One tool does the work of three
- Non-magnetic ceramic screwdriver tip for durability

The **Slot Tuner** tool has a non-conductive ceramic shaft with a 0.8 mm × 1.3 mm screwdriver tip. The plastic handle has a convenient grip surface and a rotating end to help you make fine adjustments easily.

- The ideal tool for all Coilcraft “Slot Seven” parts
- Non-magnetic ceramic screwdriver tip for durability



Coilcraft part	Recommended tool
“Unicoil” 5 mm inductors	<b>Trituner</b>
“Unicoil” 7 mm inductors	<b>Trituner</b>
“Unicoil” 10 mm inductors	<b>Trituner</b>
“Slot Seven” 7 mm inductors	<b>Slot Tuner</b>
“Slot Ten” 10 mm inductors	<b>Trituner</b>
148 Series low profile inductors	<b>Trituner</b>

## Pricing Information

Item	Price
<b>Trituner</b> Part number 37-1409	
1 piece	\$2.64 each
144 pieces	\$1.47 each
480 pieces	\$1.21 each
960 pieces	\$1.11 each
2400 pieces	\$1.00 each
4800 pieces	Quote

Item	Price
<b>Slot Tuner</b> Part number 37-2182	
1 piece	\$6.37 each
144 pieces	\$4.22 each
480 pieces	\$3.69 each
960 pieces	\$3.17 each
2400 pieces	\$2.90 each
4800 pieces	Quote

**Coilcraft®**

Specifications subject to change without notice.  
Please check our website for latest information.

Document 127 Revised 08/14/08

1102 Silver Lake Road Cary, Illinois 60013 Phone 847/639-6400 Fax 847/639-1469  
E-mail [info@coilcraft.com](mailto:info@coilcraft.com) Web <http://www.coilcraft.com>