

Shielded Power Inductors - SER1590



Designed for high current, low voltage power supply applications, the SER1590 Series offers unmatched electrical performance in an extremely robust package.

With their heavy flat wire windings, these inductors have exceptionally low DC resistance and offer saturation current ratings up to 50 Amps. Winding to core isolation is 300 Vrms.

SPICE models ON OUR WEB SITE

Part number ¹	Inductance ² ±20% (µH)	DCR (mOhms) ³		SRF typ ⁴ (MHz)	Isat (A) ⁵			Irms ⁶ (A)
		typ	max		10% drop	20% drop	30% drop	
SER1590-301ML_	0.30	0.66	0.72	260	53	56	57	32
SER1590-501ML_	0.50	0.87	0.94	202	39	42	44	27
SER1590-601ML_	0.60	0.87	0.94	182	33	35	36	27
SER1590-681ML_	0.68	0.87	0.94	160	30	32	33	27
SER1590-801ML_	0.80	0.87	0.94	123	25	26	27	27
SER1590-901ML_	0.90	1.08	1.15	160	27	28	29	22
SER1590-102ML_	1.0	0.87	0.94	115	20	22	23	27
SER1590-122ML_	1.2	1.08	1.15	90	20	22	23	22
SER1590-152ML_	1.5	1.08	1.15	73	17	18	19	22

1. When ordering, please specify **termination** and **packaging** codes:

SER1590-152MLD

Termination: L = RoHS compliant tin-silver-copper over copper.
Special order: S = non-RoHS tin-lead (63/37).

Packaging: D = 13" machine-ready reel. EIA-481 embossed plastic tape (250 parts per full reel). Quantities less than full reel available: in tape (not machine ready) or with leader and trailer (\$25 charge).

B = Less than full reel. In an effort to simplify our part numbering system, Coilcraft is eliminating the need for multiple packaging codes. When ordering, simply change the last letter of your part number from B to D.

- Inductance measured at 100 kHz, 0.1 Vrms, 0.1 Adc on an Agilent/HP 4284A LCR meter or equivalent.
 - DCR measured on a Keithley 580 micro-ohmmeter.
 - SRF measured using an Agilent/HP 8753D network analyzer and Coilcraft SMD-D test fixture.
 - DC current at 25°C that causes the specified inductance drop from its value without current. [Click for temperature derating information.](#)
 - Current that causes a 40°C temperature rise from 25°C ambient. This information is for reference only and does not represent absolute maximum ratings. [Click for temperature derating information.](#) When Irms is greater than Isat, Isat is the more critical specification, and Irms is shown in gray type. See Temperature Rise vs Current curve on next page.
 - Electrical specifications at 25°C.
- Refer to Doc 362 "Soldering Surface Mount Components" before soldering

Designer's Kit C366 contains 4 of each value

Core material Ferrite

Core and winding loss See www.coilcraft.com/coreloss

Terminations RoHS tin silver copper over copper. Other terminations available at additional cost.

Weight 4.14 – 5.2 g

Ambient temperature -40°C to +85°C with (40°C rise) Irms current.

Maximum part temperature +125°C (ambient + temp rise). [Derating.](#)

Storage temperature Component: -40°C to +125°C.

Tape and reel packaging: -40°C to +80°C

Resistance to soldering heat Max three 40 second reflows at +260°C, parts cooled to room temperature between cycles

Moisture Sensitivity Level (MSL) 1 (unlimited floor life at <30°C / 85% relative humidity)

Packaging 250 per 13" reel; Plastic tape: 32 mm wide, 0.4 mm thick, 32 mm pocket spacing, 10.4 mm pocket depth

PCB washing Tested to MIL-STD-202 Method 215 plus an additional aqueous wash. See [Doc787_PCB_Washing.pdf](#).



www.coilcraft.com

US +1-847-639-6400 sales@coilcraft.com

UK +44-1236-730595 sales@coilcraft-europe.com

Taiwan +886-2-2264 3646 sales@coilcraft.com.tw

China +86-21-6218 8074 sales@coilcraft.com.cn

Singapore + 65-6484 8412 sales@coilcraft.com.sg

Document 289-1 Revised 09/30/24

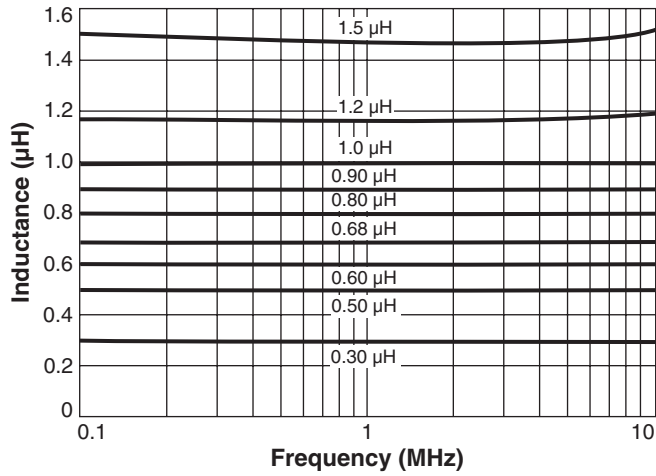
© Coilcraft Inc. 2024

This product may not be used in medical or high risk applications without prior Coilcraft approval. Specification subject to change without notice. Please check web site for latest information.

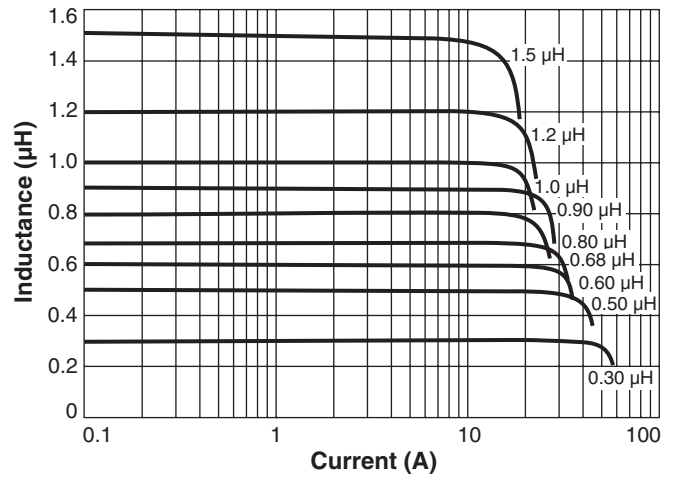


Shielded Power Inductors – SER1590 Series

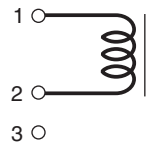
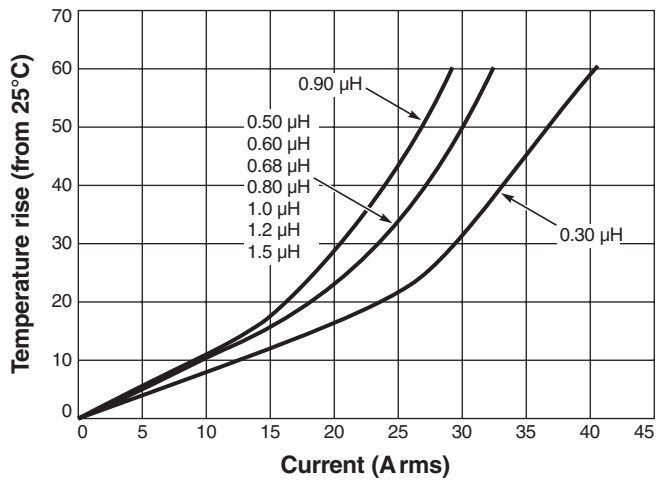
L vs Frequency



L vs Current

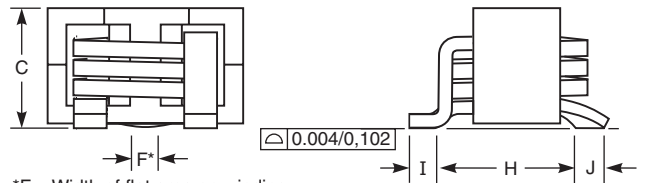
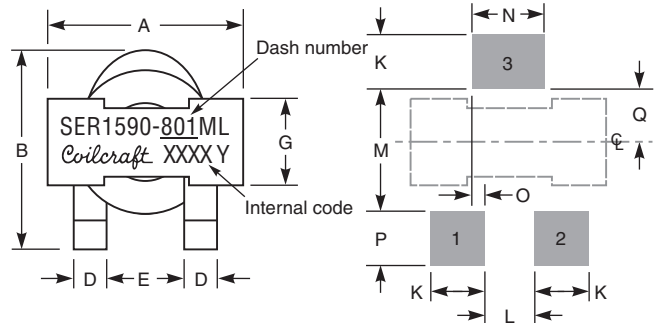


Temperature Rise vs Current



Caution:
Terminal 3 is provided for mounting stability only. This terminal is connected to the winding of the inductor and must not be connected to ground or any circuitry.

Recommended Land Pattern



A	B	C	D	E	F	G	H	
max	max	max						
0.62	0.64	0.40	0.10	0.23	0.09	0.260±0.006	0.45	
15,75	16,26	10,16	2,54	5,84	2,29	6,60 ±0,15	11,43	
I	J	K	L	M	N	O	P	Q
0.08	0.10	0.15	0.18	0.35	0.25	0.035	0.16	0.15
2,03	2,54	3,81	4,57	8,89	6,35	0,89	4,06	3,81

Dimensions are in $\frac{\text{inches}}{\text{mm}}$



US +1-847-639-6400 sales@coilcraft.com
UK +44-1236-730595 sales@coilcraft-europe.com
Taiwan +886-2-2264 3646 sales@coilcraft.com.tw
China +86-21-6218 8074 sales@coilcraft.com.cn
Singapore + 65-6484 8412 sales@coilcraft.com.sg

Document 289-2 Revised 09/30/24

© Coilcraft Inc. 2024

This product may not be used in medical or high risk applications without prior Coilcraft approval. Specification subject to change without notice. Please check web site for latest information.