

**NEW!**

Isolation Transformer

ON Semiconductor NCP4305FBDAP 65W Off-Line AC/DC Adapter



- Designed for ON Semiconductor NCP4305FBDAP 65 W Off-Line AC/DC Adapter
- Suitable for gate drive and other power applications.
- 3000 Vrms, one minute isolation (hipot) between windings
- Reinforced insulation class

Core material Ferrite

Terminations RoHS tin-silver over tin over nickel over phos bronze.

Weight 0.77 g

Ambient temperature -40°C to +85°C

Storage temperature Component: -40°C to +85°C.

Tray packaging: -40°C to +80°C

Resistance to soldering heat Max three 40 second reflows at +260°C, parts cooled to room temperature between cycles

Moisture Sensitivity Level (MSL) 1 (unlimited floor life at <30°C / 85% relative humidity)

Failures in Time (FIT) / Mean Time Between Failures (MTBF)

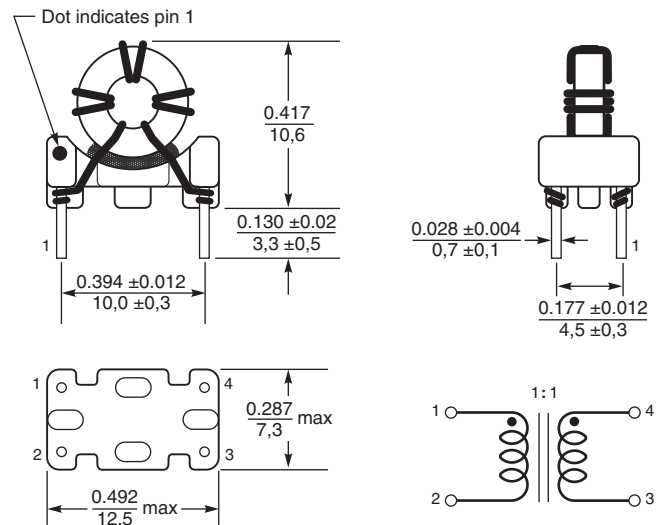
38 per billion hours / 26,315,789 hours, calculated per Telcordia SR-332

Packaging 100 per tray

PCB washing Tested to MIL-STD-202 Method 215 plus an additional aqueous wash. See [Doc787_PCB_Washing.pdf](#).

Part number	Inductance ¹ ±30% (μH)	Volt-time product ² typ (Vμsec)	DCR max ³ (mOhms)
PA6598-AL	16	8.64	33

1. Inductance tested at 100 kHz, 0.1 Vrms, 0 Adc.
 2. Volt-time product is based on core area, number of primary turns and 4800 Gauss flux density.
 3. DCR is for each winding.
 4. Electrical specifications at 25°C.
- Refer to Doc 362 "Soldering Surface Mount Components" before soldering.



Dimensions are in $\frac{\text{inches}}{\text{mm}}$

Parts shown are preproduction products available for evaluation only.

US +1-847-639-6400 sales@coilcraft.com

UK +44-1236-730595 sales@coilcraft-europe.com

Taiwan +886-2-2264 3646 sales@coilcraft.com.tw

China +86-21-6218 8074 sales@coilcraft.com.cn

Singapore + 65-6484 8412 sales@coilcraft.com.sg

Document 1357-1 Revised 12/08/16

© Coilcraft Inc. 2017

This product may not be used in medical or high risk applications without prior Coilcraft approval. Specification subject to change without notice. Please check web site for latest information.

www.coilcraft.com