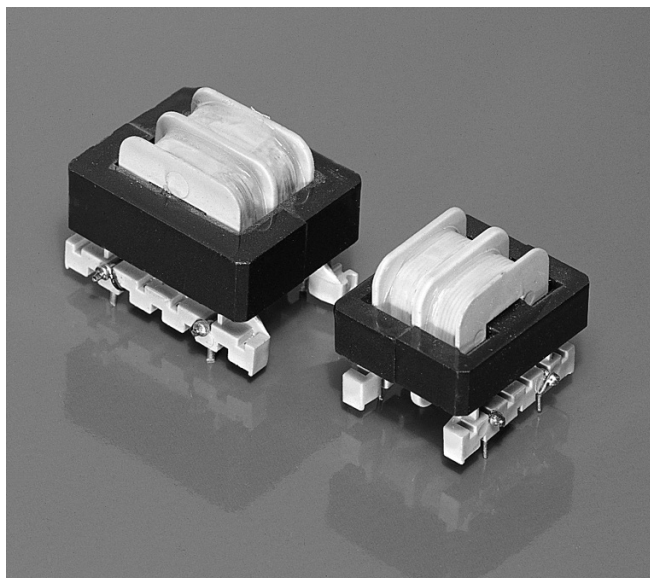




Common Mode Line Chokes High Inductance Series

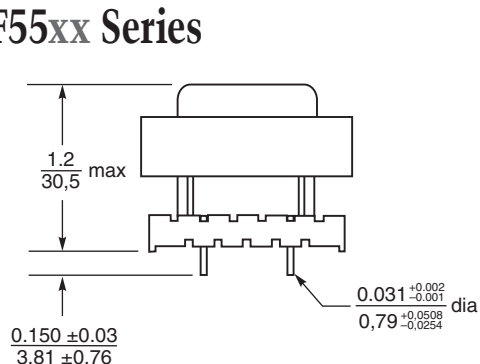


These common mode line chokes provide the best available combination of low cost and high inductance. Coilcraft EE style common mode line chokes are available in two series, each with a variety of current ratings, sizes and inductance values.

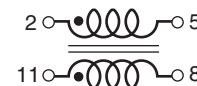
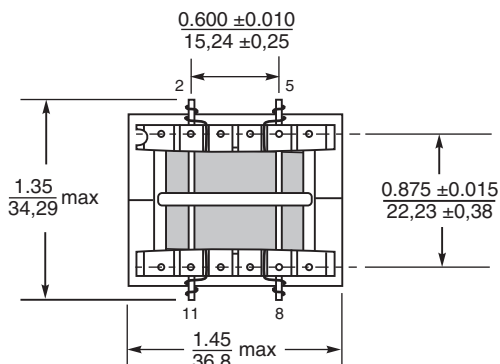
- Cost effective design
- 3750 Vrms, one minute isolation between windings

Coilcraft **Designer's Kit No. P402** contains samples of eight standard EE and toroidal common mode line chokes. To order, contact Coilcraft or purchase on-line at <http://order.coilcraft.com>.

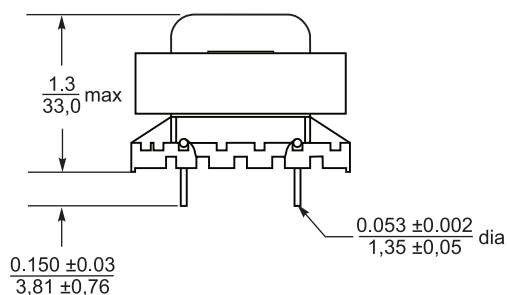
F55xx Series



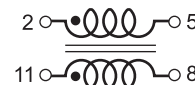
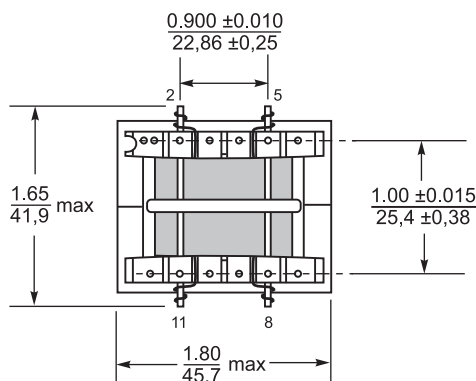
Terminations: Tin-silver over tin over copper



H70xx Series



Terminations: Tin-silver over tin over copper





Common Mode Line Chokes—High Inductance Series

F55xx Series

Part number	Inductance ¹ (mH)	Current (Amps)	SRF ² (kHz)	DCR ³ (Ohms)
F5585-AL	82.0	0.25	65	3.1
F5586-AL	34.0	0.75	100	1.30
F5587-AL	25.3	1	129	0.855
F5588-AL	15.8	1.25	170	0.540
F5589-AL	8.20	1.5	206	0.295
F5590-AL	6.55	2	230	0.215
F5591-AL	3.45	2.5	309	0.120
F5592-AL	1.75	3	420	0.070
F5593-AL	1.20	4	560	0.045

1. Inductance is minimum per winding, tested at 0.1 Vrms, 20 kHz.
2. SRF is minimum for each winding.
3. DCR is maximum per winding.
4. Ambient temperature range -40°C to $+85^{\circ}\text{C}$.
5. Electrical specifications at 25°C .
6. Parts in bold type are included in Coilcraft Designer's Kit No. P402.

H70xx Series

Part number	Inductance ¹ (mH)	Current (Amps)	SRF ² (kHz)	DCR ³ (Ohms)
H7010-AL	56.5	1	62	1.10
H7011-AL	34.8	1.25	96	0.720
H7012-AL	23.6	1.5	104	0.465
H7013-AL	19.8	2	128	0.350
H7014-AL	7.38	2.5	190	0.160
H7015-AL	5.36	3	220	0.115
H7016-AL	4.10	4	275	0.080
H7017-AL	2.09	5	370	0.045
H7018-AL	0.966	6	556	0.025
H7019-AL	0.753	8	640	0.017

1. Inductance is minimum per winding, tested at 0.1 Vrms, 20 kHz.
2. SRF is minimum for each winding.
3. DCR is maximum per winding.
4. Ambient temperature range -40°C to $+85^{\circ}\text{C}$.
5. Electrical specifications at 25°C .



www.coilcraft.com

US +1-847-639-6400 sales@coilcraft.com
UK +44-1236-730595 sales@coilcraft-europe.com
Taiwan +886-2-2264 3646 sales@coilcraft.com.tw
China +86-21-6218 8074 sales@coilcraft.com.cn
Singapore + 65-6484 8412 sales@coilcraft.com.sg

Document 142-2 Revised 07/16/20

© Coilcraft Inc. 2020

This product may not be used in medical or high risk applications without prior Coilcraft approval. Specification subject to change without notice. Please check web site for latest information.