

For DALI applications using  
International Rectifier IR21592  
and STMicroelectronics L6561D

# Magnetics for IR Dimming Ballast IC

These transformers have been specially engineered for International Rectifier's IRPLDIM2 Digitally Addressable DALI Dimming Ballast reference design.

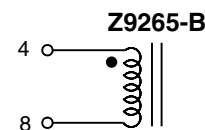
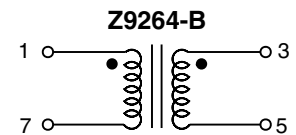
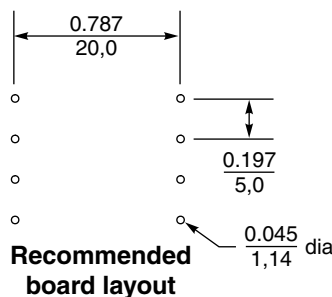
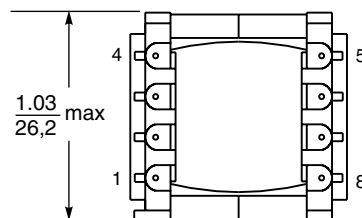
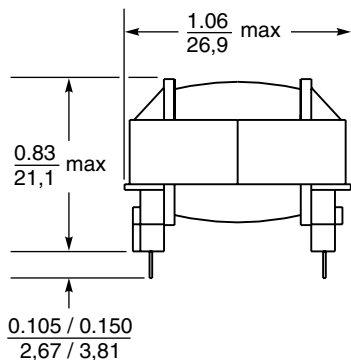
The Z9265-B (L3) is optimized for International Rectifier's IR21592 HVIC ballast controller IC while the Z9264-B

(L2) is designed for use with the STMicroelectronics PFC L6561D.

Free evaluation samples are available by contacting Coilcraft.

Application	Part number	Inductance $\pm 10\%$ <sup>1</sup> (mH)	DCR max (Ohms)	Isolation pri : sec (Vrms)	Turns ratio pri : sec
PFC inductor (L2)	Z9264-B	2.0	1.45 (1-7) 0.230 (3-5)	500 (1-3)	1 : 0.10
Inductor (L3)	Z9265-B	2.0	1.57 (4-8)	N/A	N/A

1. Inductance tested 50 kHz, 1.0 Vrms, 0 Adc.
2. Operating temperature range -40°C to +85°C.
3. Electrical specifications at 25°C.



Weight: 28.3 – 28.7 g

**Coilcraft**<sup>®</sup>

Specifications subject to change without notice. Document 270 Revised 07/19/06

1102 Silver Lake Road Cary, Illinois 60013 Phone 847/639-6400 Fax 847/639-1469

E-mail [info@coilcraft.com](mailto:info@coilcraft.com) Web <http://www.coilcraft.com>