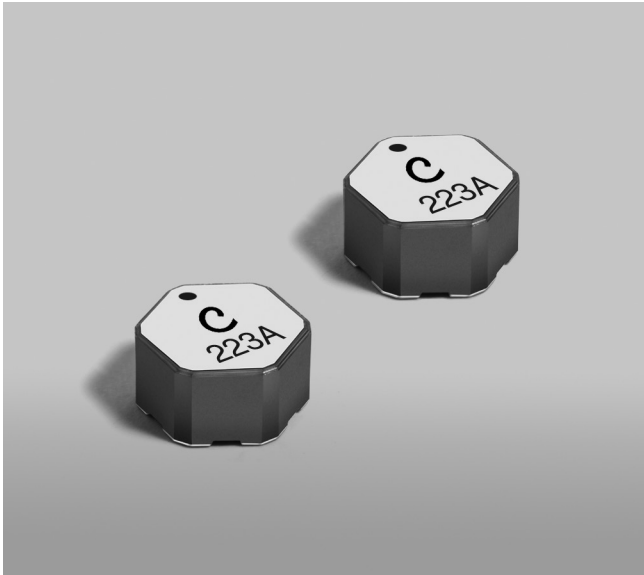


NEW!

Shielded Coupled Inductor

For TI's LM5160 Dual Output Fly-Buck™ Reference Design



- Published as TA7848-AE on TI's LM5160 Dual Output Non-Isolated Fly-Buck™ Reference Design, PMP10733
- Low leakage inductance and DCR; excellent current handling
- Based on the Coilcraft LPH miniature inductor series. Contact Coilcraft for other turns ratios.

Core material Ferrite**Environmental** RoHS compliant, halogen free**Terminations** RoHS compliant silver-palladium-platinum-glass frit.**Weight** 850 mg**Ambient temperature** -40°C to +85°C**Maximum part temperature** +125°C (ambient + temp rise)**Storage temperature** Component: -40°C to +125°C.

Tape and reel packaging: -40°C to +80°C

Resistance to soldering heat Max three 40 second reflows at +260°C, parts cooled to room temperature between cycles**Moisture Sensitivity Level (MSL)** 1 (unlimited floor life at <30°C / 85% relative humidity)**Failures in Time (FIT) / Mean Time Between Failures (MTBF)**

38 per billion hours / 26,315,789 hours, calculated per Telcordia SR-332

PCB washing Tested to MIL-STD-202 Method 215 plus an additional aqueous wash. See [Doc787_PCB_Washing.pdf](#).

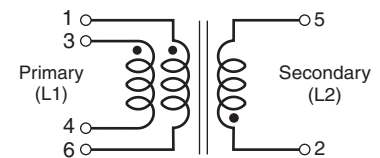
Part number ¹	Turns ratio pri : sec	Inductance (µH) ²		DCR max (Ohms) ³		Leakage inductance ⁴ max (µH)	Isolation ⁵ (Vrms / Vdc)
		min	max	pri	sec		
TA7848-AE_	1 : 1.05	16.0	24.0	0.1835	0.300	0.82	1000 / 1500

1. When ordering, please specify **packaging** code:**TA7848-AED****Packaging:** **C** = 7" machine-ready reel. EIA-481 embossed plastic tape (250 parts per full reel).**B** = Less than full reel. In tape, but not machine ready.

To have a leader and trailer added (\$25 charge), use code letter C instead.

D = 13" machine-ready reel. EIA-481 embossed plastic tape. Factory order only, not stocked (1000 parts per full reel).

- Inductance is for the primary, measured at 100 kHz, 0.1 Vrms, 0 Adc with the windings connected in parallel.
- DCR for the primary is measured with the windings connected in parallel.
- Leakage inductance is for the primary winding, measured with the secondary winding shorted.
- Isolation (hipot) is measured from primary to secondary for one minute.
- Electrical specifications at 25°C.



Primary windings to be connected in parallel on the PC board



www.coilcraft.com

US +1-847-639-6400 sales@coilcraft.com**UK** +44-1236-730595 sales@coilcraft-europe.com**Taiwan** +886-2-2264 3646 sales@coilcraft.com.tw**China** +86-21-6218 8074 sales@coilcraft.com.cn**Singapore** + 65-6484 8412 sales@coilcraft.com.sg

Document 1354-1 Revised 06/14/16

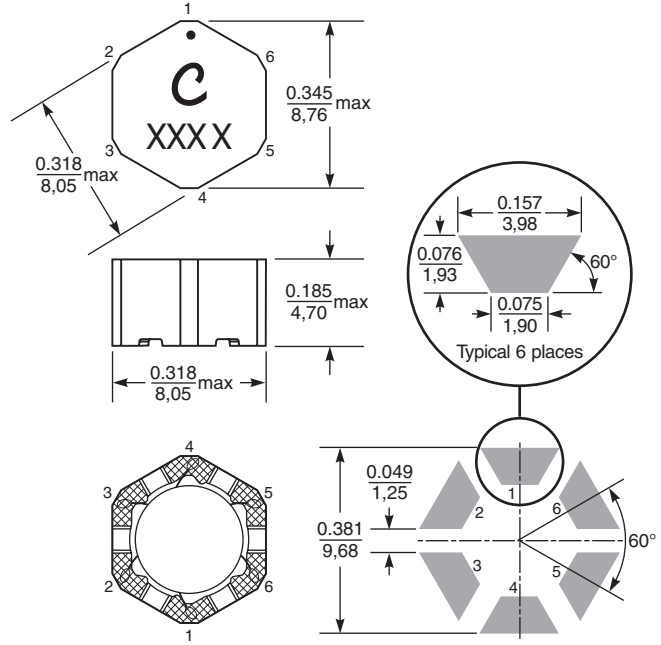
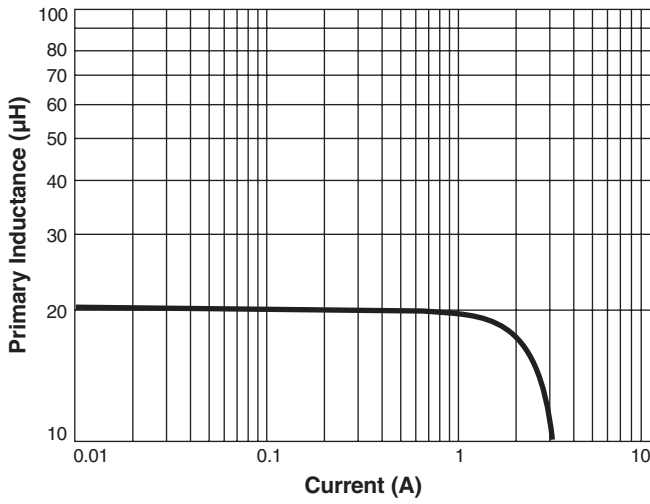
© Coilcraft Inc. 2016

This product may not be used in medical or high risk applications without prior Coilcraft approval. Specification subject to change without notice. Please check web site for latest information.

NEW!

TA7848-AE Shielded Coupled Inductor

L vs Current



Dimensions are in $\frac{\text{inches}}{\text{mm}}$

Packaging 250/7" reel; 1000/13" reel; Plastic tape: 16 mm wide, 0.28 mm thick, 12 mm pocket spacing, 4.95 mm pocket depth
Recommended pick and place nozzle OD: 8 mm; ID: 4 mm



www.coilcraft.com

US +1-847-639-6400 sales@coilcraft.com
UK +44-1236-730595 sales@coilcraft-europe.com
Taiwan +886-2-2264 3646 sales@coilcraft.com.tw
China +86-21-6218 8074 sales@coilcraft.com.cn
Singapore + 65-6484 8412 sales@coilcraft.com.sg

Document 1354-2 Revised 06/14/16

© Coilcraft Inc. 2016

This product may not be used in medical or high risk applications without prior Coilcraft approval. Specification subject to change without notice. Please check web site for latest information.