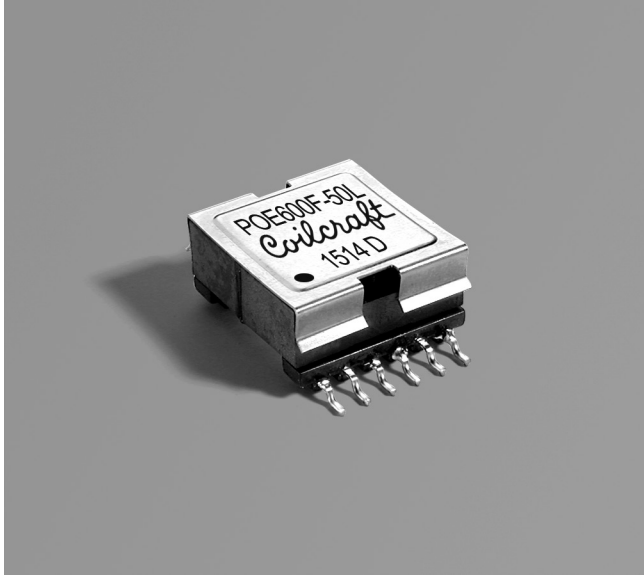


**NEW!**

# 60 W PoE Transformers

For Active Clamp  
Forward Topology



- Designed for active clamp forward topology
- Operates at 200 kHz, with 36 – 72 Volt input
- Includes a 12-Volt auxiliary winding
- Isolation: 1500 Vrms, one minute primary and aux to secondary; 500 Vrms primary to auxiliary

**Core material** Ferrite

**Terminations** RoHS tin-silver over tin over nickel over phos bronze. Other terminations available at additional cost.

**Weight** 12.7 g

**Ambient temperature** –40°C to +125°C

**Storage temperature** Component: –40°C to +125°C. Tape and reel packaging: –40°C to +80°C

**Resistance to soldering heat** Max three 40 second reflows at +260°C, parts cooled to room temperature between cycles

**Moisture Sensitivity Level (MSL)** 1 (unlimited floor life at <30°C / 85% relative humidity)

**Failures in Time (FIT) / Mean Time Between Failures (MTBF)**

38 per billion hours / 26,315,789 hours, calculated per Telcordia SR-332

**Packaging** 175 per 13" reel Plastic tape: 44 mm wide, 0.4 mm thick, 32 mm pocket spacing, 11.9 mm pocket depth

**PCB washing** Tested to MIL-STD-202 Method 215 plus an additional aqueous wash. See [Doc787\\_PCB\\_Washing.pdf](#).

Part number <sup>1</sup>	Inductance <sup>2</sup> ±20% (µH)	DCR max <sup>3</sup> (mOhms) pri : sec : aux	Leakage inductance <sup>4</sup> max (µH)	Turns ratio <sup>5</sup> pri : sec : aux	Output <sup>6</sup>
POE600F-33L_	100	35 : 2.30 : 185	0.55	6 : 1 : 3.5	3.3 V, 18.18 A
POE600F-50L_	100	35 : 2.70 : 185	0.30	4 : 1 : 2.3	5.0 V, 12 A
POE600F-12L_	100	35 : 8.00 : 156	0.17	2 : 1 : 1	12 V, 5.0 A
POE600F-24L_	100	35 : 30 : 156	0.14	1 : 1 : 0.5	24 V, 2.5 A

1. When ordering, please specify **packaging** code:

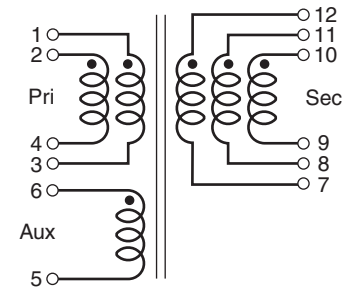
**POE600F-50LD**

**Packaging:** **D** = 13" machine-ready reel. EIA-481 embossed plastic tape (175 parts per full reel).

**B** = Less than full reel. In tape, but not machine ready. To have a leader and trailer added (\$25 charge), use code letter D instead.

- Inductance is for the primary, measured at 200 kHz, 0.1 Vrms, 0 Adc.
- DCR for the primary and the secondary is measured with the windings connected in parallel.
- Leakage inductance is for the primary and is measured with all secondary windings shorted.
- Turns ratio is with the primary windings and the secondary windings connected in parallel.
- Output is with the secondary windings connected in parallel.
- Electrical specifications at 25°C.

Refer to Doc 362 "Soldering Surface Mount Components" before soldering.



Primary windings and secondary windings to be connected in parallel on the PC board.

**Coilcraft**

www.coilcraft.com

**US** +1-847-639-6400 sales@coilcraft.com  
**UK** +44-1236-730595 sales@coilcraft-europe.com  
**Taiwan** +886-2-2264 3646 sales@coilcraft.com.tw  
**China** +86-21-6218 8074 sales@coilcraft.com.cn  
**Singapore** + 65-6484 8412 sales@coilcraft.com.sg

Document 1215-1 Revised 07/09/15

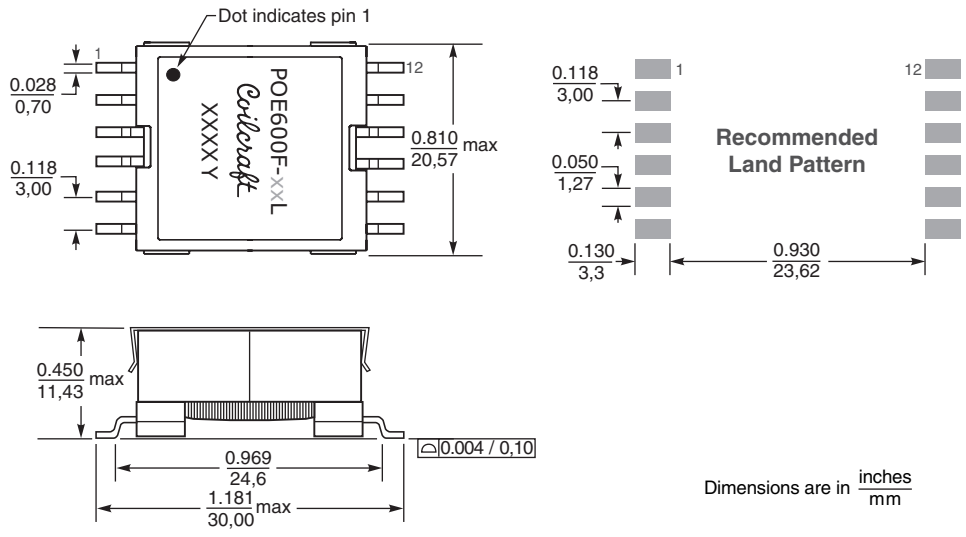
© Coilcraft Inc. 2015

This product may not be used in medical or high risk applications without prior Coilcraft approval. Specification subject to change without notice. Please check web site for latest information.

**NEW!**



# 60 W PoE Transformers – POE600F



Parts shown are preproduction products available for evaluation only.

**US** +1-847-639-6400 sales@coilcraft.com  
**UK** +44-1236-730595 sales@coilcraft-europe.com  
**Taiwan** +886-2-2264 3646 sales@coilcraft.com.tw  
**China** +86-21-6218 8074 sales@coilcraft.com.cn  
**Singapore** + 65-6484 8412 sales@coilcraft.com.sg

Document 1215-2 Revised 07/09/15

© Coilcraft Inc. 2015

This product may not be used in medical or high risk applications without prior Coilcraft approval. Specification subject to change without notice. Please check web site for latest information.



www.coilcraft.com