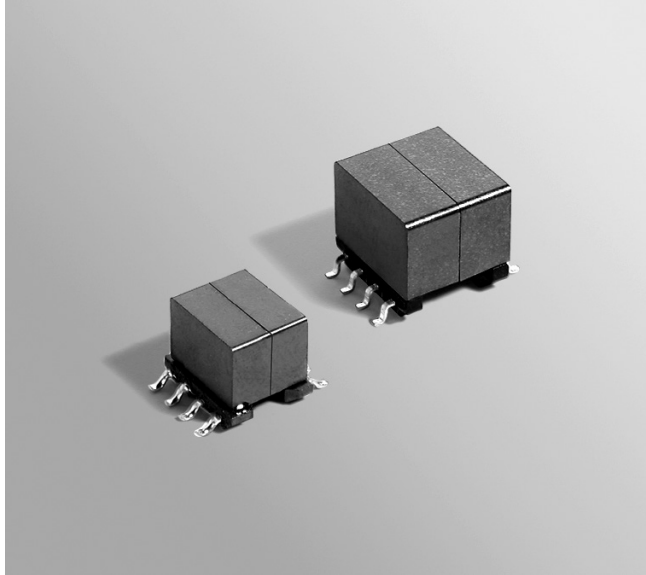


Push-Pull Transformers

For Linear LT3999
Push-Pull DC/DC Driver



- Developed for Linear LT3999 Low Noise, 1 A, 1 MHz Push-Pull DC/DC Driver with Duty Cycle Control
- 500 Vrms, one minute isolation primary windings to secondary windings

Core material Ferrite

Terminations RoHS tin-silver (96.5/3.5) over tin over nickel over phos bronze.

Weight PA6381-AL, PA6383-AL: 1.9 – 2.1 g; PA6384-AL: 3.8 – 4.0 g

Ambient temperature –40°C to +85°C

Maximum part temperature +125°C (ambient + temp rise)

Storage temperature Component: –40°C to +125°C.

Tape and reel packaging: –40°C to +80°C

Resistance to soldering heat Max three 40 second reflows at +260°C, parts cooled to room temperature between cycles

Moisture Sensitivity Level (MSL) 1 (unlimited floor life at <30°C / 85% relative humidity)

Failures in Time (FIT) / Mean Time Between Failures (MTBF)

38 per billion hours / 26,315,789 hours, calculated per Telcordia SR-332

Packaging See dimensional drawings

PCB washing Tested to MIL-STD-202 Method 215 plus an additional aqueous wash. See [Doc787_PCB_Washing.pdf](#).

Part number ¹	Input voltage (V)	Primary inductance (μH) ²		Leakage inductance ³ max (μH)	DCR max ⁴ (Ohms)		Volt-time product ⁵ (V-μsec)	Turns ratio ⁶ pri:sec	Output
		min	max		pri	sec			
PA6381-AL_	5.0	139	232	0.520	0.166 (A); 0.201 (B)	1.78	26	1:3.46	12 V, 0.83 A
PA6383-AL_	5.0	29.7	49.5	0.190	0.035 (A); 0.045 (B)	0.067	12	1:1.5	5 V, 1.0 A
PA6384-AL_	12	82.5	137.5	0.336	0.048 (A); 0.061 (B)	0.072	22	1:1.4	12 V, 0.83 A

1. When ordering, specify a **packaging** code:

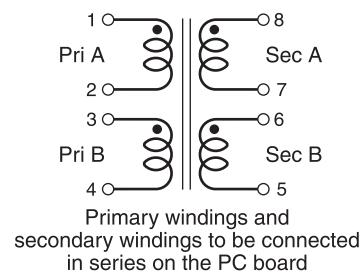
PA6384-ALD

Packaging: **D** = 13" machine ready reel. EIA-481 embossed plastic tape.

B = Less than full reel. In tape, but not machine ready. To have a leader and trailer added (\$25 charge), use code letter D instead.

2. Inductance is for Pri A measured on an Agilent/HP 4284 at 100 kHz, 0.1 Vrms, 0 Adc.
3. Leakage inductance measured between pins 1 and 4 at 100 kHz, 0.1 Vrms, 0 Adc with pins 2 and 3 connected and with secondary pins shorted.
4. DCR for the secondary is for each winding.
5. Volt-time product is for Primary A, based on 2000 Gauss.
6. Turns ratio is with the primary windings and secondary windings connected in series.
7. Electrical specifications at 25°C.

Refer to Doc 362 "Soldering Surface Mount Components" before soldering.



www.coilcraft.com

US +1-847-639-6400 sales@coilcraft.com
UK +44-1236-730595 sales@coilcraft-europe.com
Taiwan +886-2-2264 3646 sales@coilcraft.com.tw
China +86-21-6218 8074 sales@coilcraft.com.cn
Singapore + 65-6484 8412 sales@coilcraft.com.sg

Document 1227-1 Revised 01/11/17

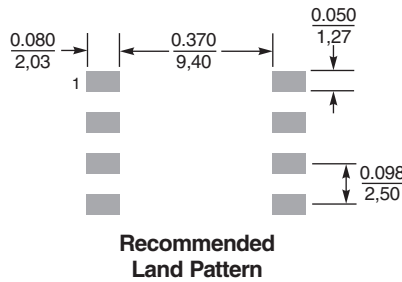
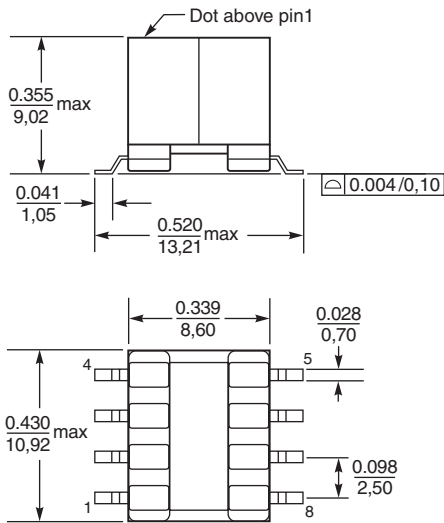
© Coilcraft Inc. 2017

This product may not be used in medical or high risk applications without prior Coilcraft approval. Specification subject to change without notice. Please check web site for latest information.

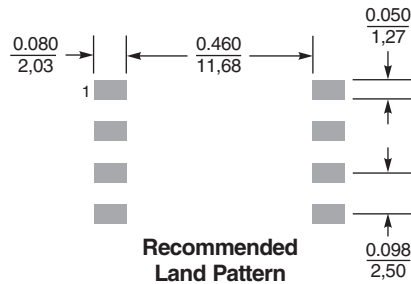
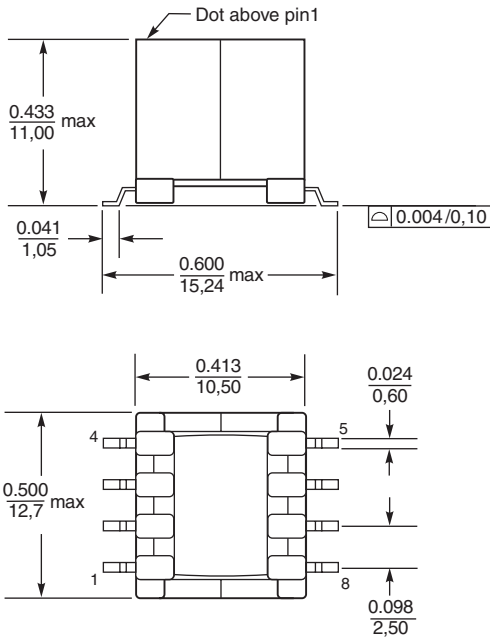


Push-Pull Transformers for Linear LT3999

PA6381-AL, PA6383-AL



PA6384-AL



Dimensions are in $\frac{\text{inches}}{\text{mm}}$

Packaging

PA6381-AL, PA6383-AL 350 per 13" reel Plastic tape: 32 mm wide, 0.42 mm thick, 20 mm pocket spacing, 9.16 mm pocket depth

PA6384-AL 200 per 13" reel Plastic tape: 32 mm wide, 0.5 mm thick, 24 mm pocket spacing, 11.2 mm pocket depth



www.coilcraft.com

US +1-847-639-6400 sales@coilcraft.com
UK +44-1236-730595 sales@coilcraft-europe.com
Taiwan +886-2-2264 3646 sales@coilcraft.com.tw
China +86-21-6218 8074 sales@coilcraft.com.cn
Singapore + 65-6484 8412 sales@coilcraft.com.sg

Document 1227-2 Revised 01/11/17

© Coilcraft Inc. 2017

This product may not be used in medical or high risk applications without prior Coilcraft approval. Specification subject to change without notice. Please check web site for latest information.