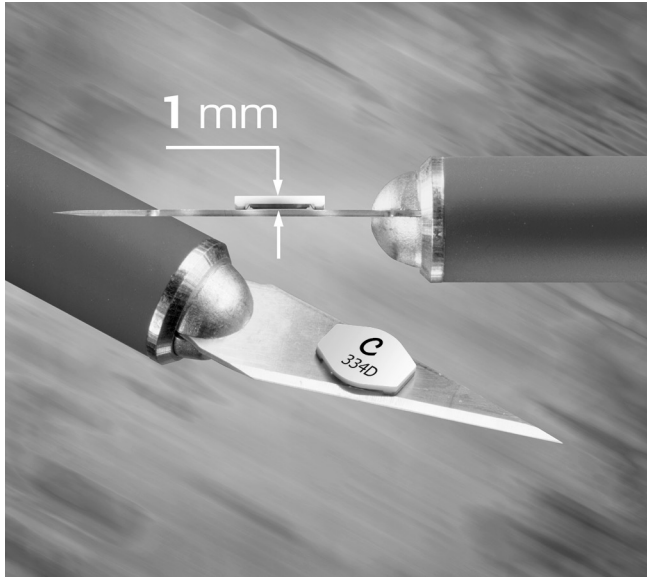


SMT Power Inductors – LPO6610



- Very low profile - only 1.0 mm high!
- Handles current up to 1.7 Amps rms

Designer's Kit C367 contains 3 each of all values

Core material Ferrite

Core and winding loss See www.coilcraft.com/coreloss

Terminations RoHS compliant silver-palladium-platinum-glass frit. Other terminations available at additional cost.

Weight 91.0 – 95.0 mg

Ambient temperature –40°C to +85°C with Irms current

Maximum part temperature +125°C (ambient + temp rise)

Storage temperature Component: –40°C to +125°C
Tape and reel packaging: –40°C to +80°C

Resistance to soldering heat Max three 40 second reflows at +260°C, parts cooled to room temperature between cycles

Moisture Sensitivity Level (MSL) 1 (unlimited floor life at <30°C / 85% relative humidity)

Failures in Time (FIT) / Mean Time Between Failures (MTBF)

38 per billion hours / 26,315,789 hours, calculated per Telcordia SR-332

Packaging 1000/7" reel Plastic tape: 12 mm wide, 0.3 mm thick, 8 mm pocket spacing, 1.2 mm pocket depth

PCB washing Tested to MIL-STD-202 Method 215 plus an additional aqueous wash. See [Doc787_PCB_Washing.pdf](#).

Part number ¹	L ² ±20% (µH)	DCR max (Ohms)	SRF typ (MHz)	Isat ³ (A)	Irms ⁴ (A)
LPO6610-122ML_	1.2	0.08	190	2.1	1.7
LPO6610-152ML_	1.5	0.10	140	1.9	1.5
LPO6610-222ML_	2.2	0.12	115	1.6	1.4
LPO6610-332ML_	3.3	0.16	90	1.3	1.2
LPO6610-472ML_	4.7	0.20	88	1.1	1.1
LPO6610-682ML_	6.8	0.32	66	0.90	0.85
LPO6610-103ML_	10	0.41	55	0.80	0.75
LPO6610-153ML_	15	0.55	42	0.65	0.60
LPO6610-223ML_	22	0.85	38	0.50	0.52
LPO6610-333ML_	33	1.3	29	0.40	0.42
LPO6610-473ML_	47	1.8	22	0.35	0.36
LPO6610-683ML_	68	2.5	18	0.30	0.30
LPO6610-104ML_	100	3.5	14	0.25	0.26
LPO6610-154ML_	150	5.0	12	0.18	0.21
LPO6610-224ML_	220	7.0	10	0.16	0.18
LPO6610-334ML_	330	15.0	8	0.13	0.13

1. When ordering, please specify **termination** and **packaging** codes:

LPO6610-334MLC

Termination: L = RoHS compliant silver-palladium-platinum-glass frit.
Special order: T = RoHS tin-silver-copper (95.5/4/0.5)
or S = non-RoHS tin-lead (63/37).

Packaging: C = 7" machine-ready reel. EIA-481 embossed plastic tape (1000 parts per full reel).

B = Less than full reel. In tape, but not machine ready.
To have a leader and trailer added (\$25 charge),
use code letter C instead.

2. Inductance tested at 100 kHz, 0.1 Vrms, 0 Adc using an Agilent/HP 4263B LCR meter or equivalent.

3. DC current at which the inductance drops 10% (typ) from its value without current.

4. Current that causes a 40°C temperature rise from 25°C ambient.

5. Electrical specifications at 25°C.

Refer to Doc 362 "Soldering Surface Mount Components" before soldering.

SPICE models ON OUR WEB SITE



www.coilcraft.com

US +1-847-639-6400 sales@coilcraft.com

UK +44-1236-730595 sales@coilcraft-europe.com

Taiwan +886-2-2264 3646 sales@coilcraft.com.tw

China +86-21-6218 8074 sales@coilcraft.com.cn

Singapore + 65-6484 8412 sales@coilcraft.com.sg

Document 333-1 Revised 06/07/17

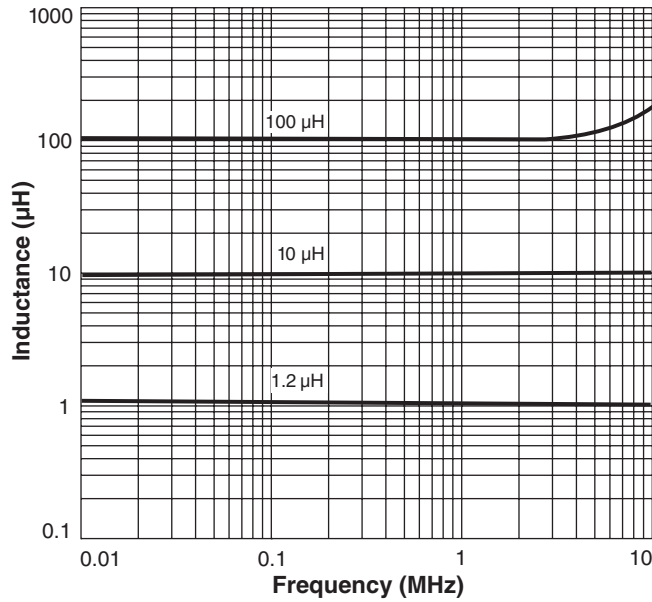
© Coilcraft Inc. 2017

This product may not be used in medical or high risk applications without prior Coilcraft approval. Specification subject to change without notice. Please check web site for latest information.

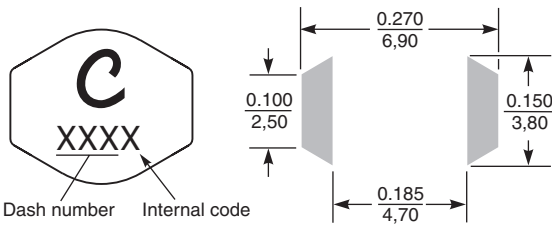
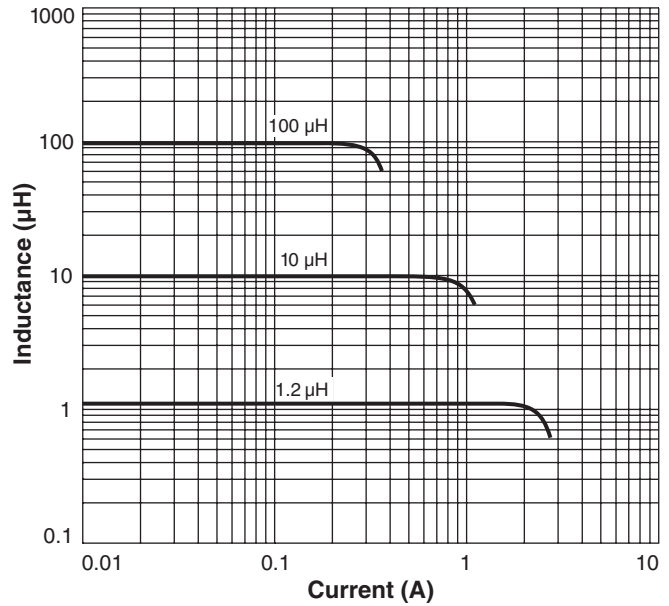


SMT Power Inductors - LPO6610 Series

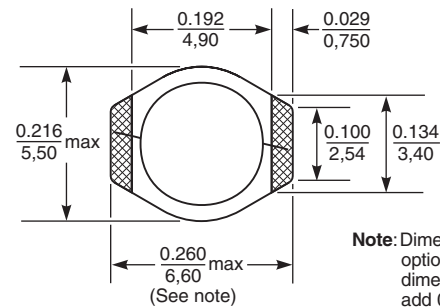
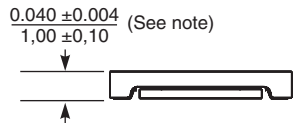
Typical L vs Frequency



Typical L vs Current



Recommended Land Pattern



Note: Dimensions are before optional solder application. For dimensions including solder, add 0.005 in / 0.127 mm.

Dimensions are in $\frac{\text{inches}}{\text{mm}}$



www.coilcraft.com

US +1-847-639-6400 sales@coilcraft.com
UK +44-1236-730595 sales@coilcraft-europe.com
Taiwan +886-2-2264 3646 sales@coilcraft.com.tw
China +86-21-6218 8074 sales@coilcraft.com.cn
Singapore + 65-6484 8412 sales@coilcraft.com.sg

Document 333-2 Revised 06/07/17

© Coilcraft Inc. 2017

This product may not be used in medical or high risk applications without prior Coilcraft approval. Specification subject to change without notice. Please check web site for latest information.