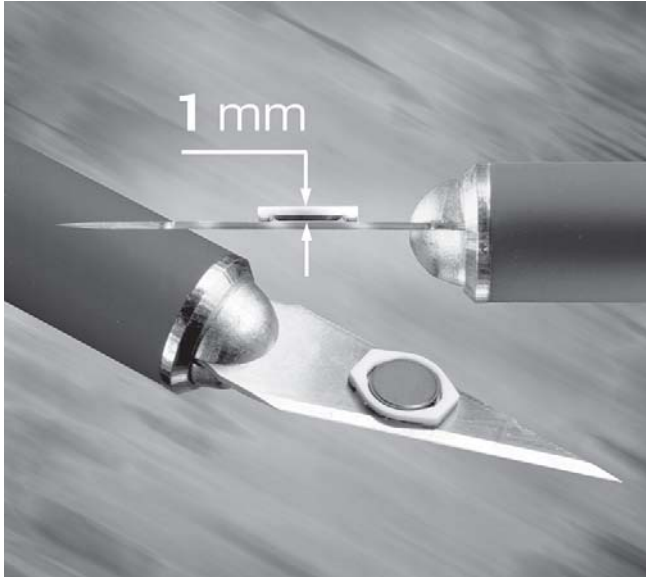




SMT Power Inductors - LPO1704 Series



We now offer an improved version of this series: LPO6610.

It has identical electrical specifications and footprint, and comes in a more robust package that features part identification marking. We will, however, continue to produce the LPO1704 indefinitely.

Measuring just 1 mm high, the LPO1704 is the world's lowest profile power inductor!

This series has been specially designed for applications requiring the smallest possible footprint and lowest height: notebook computers, PDAs, PC Cards, mobile phones and other handheld products.



The specially designed ceramic case totally protects the winding while the flat top provides the best possible surface for pick and place handling.

Part number ¹	L ² ±20% (µH)	DCR max (Ohms)	SRF typ (MHz)	Isat ³ (A)	Irms ⁴ (A)
LPO1704-122ML_	1.2	0.08	190	2.1	1.7
LPO1704-152ML_	1.5	0.10	140	1.9	1.5
LPO1704-222ML_	2.2	0.12	115	1.6	1.4
LPO1704-332ML_	3.3	0.16	90	1.3	1.2
LPO1704-472ML_	4.7	0.20	88	1.1	1.1
LPO1704-682ML_	6.8	0.32	66	0.90	0.85
LPO1704-103ML_	10	0.41	55	0.80	0.75
LPO1704-153ML_	15	0.55	42	0.65	0.60
LPO1704-223ML_	22	0.85	38	0.50	0.52
LPO1704-333ML_	33	1.3	29	0.40	0.42
LPO1704-473ML_	47	1.8	22	0.35	0.36
LPO1704-683ML_	68	2.5	18	0.30	0.30
LPO1704-104ML_	100	3.5	14	0.25	0.26
LPO1704-154ML_	150	5.0	12	0.18	0.21
LPO1704-224ML_	220	7.0	10	0.16	0.18
LPO1704-334ML_	330	15.0	8	0.13	0.13

1. When ordering, please specify **packaging** code:

↓
LPO1704-334ML C

Packaging: C = 7" machine-ready reel. EIA-481 embossed plastic tape (1000 parts per full reel).

B = Less than full reel. In tape, but not machine ready. To have a leader and trailer added (\$25 charge), use code letter C instead.

2. Tested at 100 kHz, 0.1 Vrms, 0 Adc.

3. DC current at which the inductance drops 10% (typ) from its value without current.

4. Average current for a 40°C rise above 25°C ambient.

5. Operating temperature range -40°C to +85°C.

6. Electrical specifications at 25°C.

See Qualification Standards section for environmental and test data.

Coilcraft®

Specifications subject to change without notice.

Please check our website for latest information. Document 233-1 Revised 01/27/05

1102 Silver Lake Road Cary, Illinois 60013 Phone 847/639-6400 Fax 847/639-1469

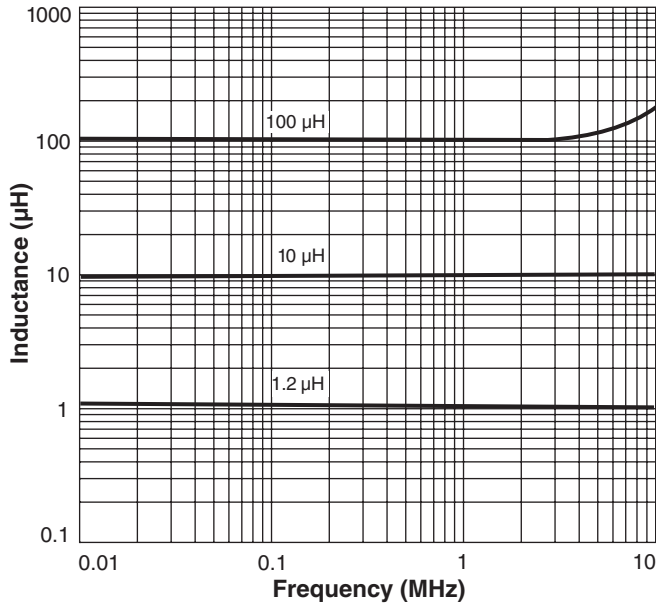
E-mail info@coilcraft.com Web <http://www.coilcraft.com>



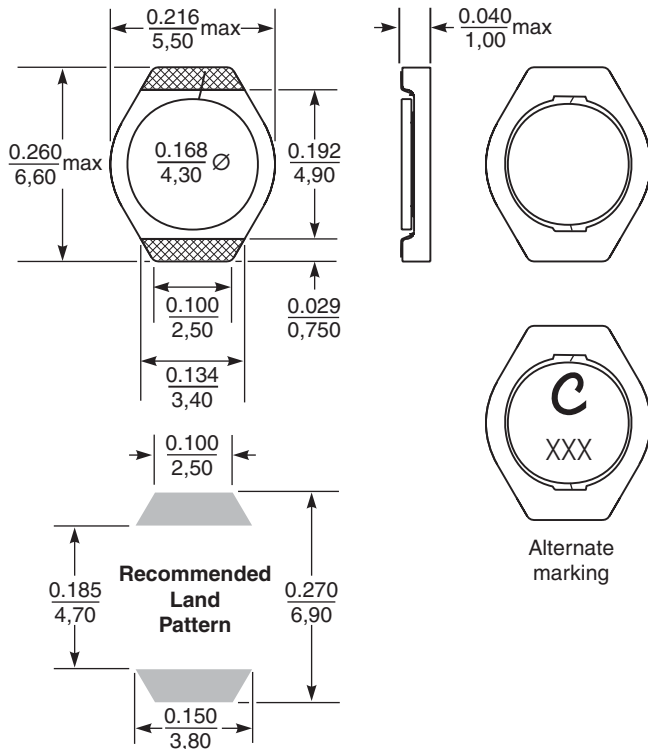
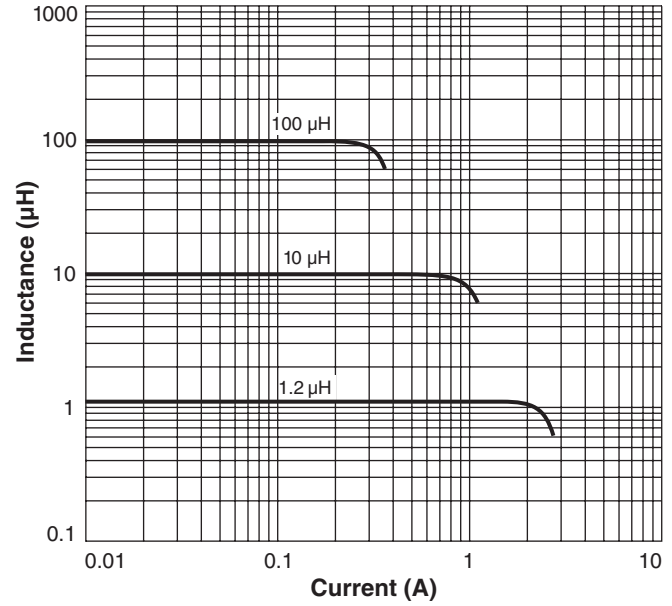
SMT Power Inductors - LPO1704 Series

SPICE models
ON OUR WEB SITE OR CD

Typical L vs Frequency



Typical L vs Current



Terminations: Silver-palladium-platinum-glass frit
Tape and reel: 1000/7" reel; 3500/13" reel 12 mm tape width
 For packaging data see Tape and Reel Specifications section.



Specifications subject to change without notice.
 Please check our website for latest information. Document 233-2 Revised 01/27/05

1102 Silver Lake Road Cary, Illinois 60013 Phone 847/639-6400 Fax 847/639-1469
 E-mail info@coilcraft.com Web <http://www.coilcraft.com>