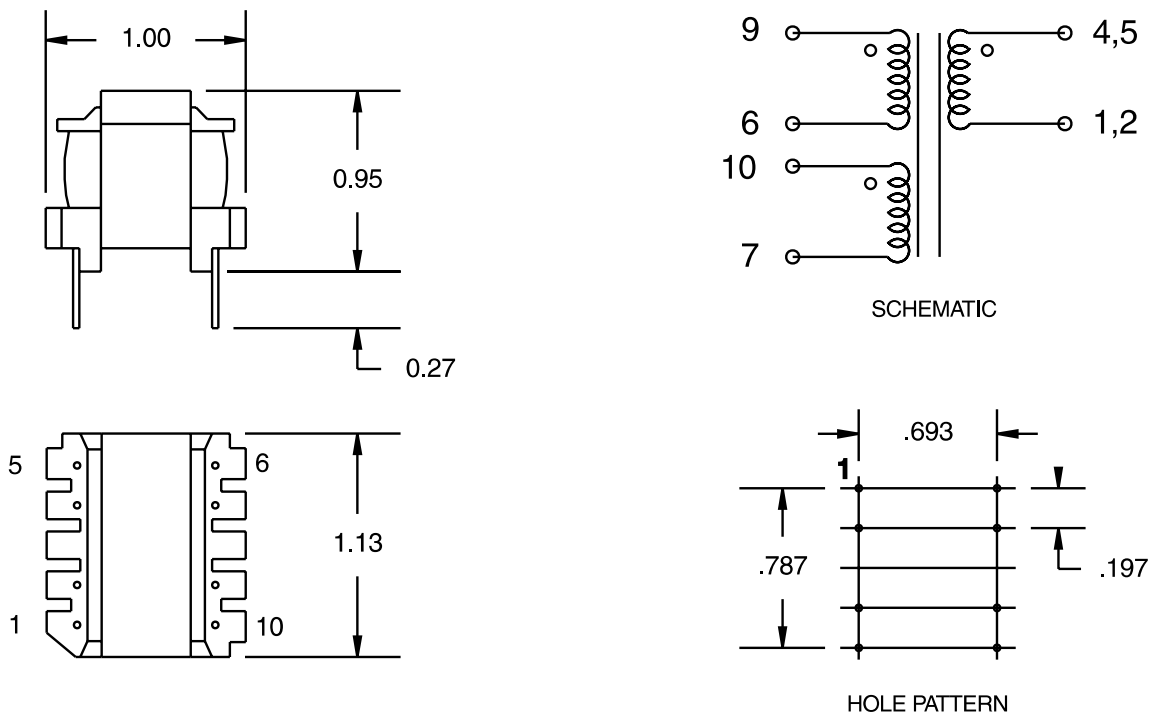




1102 Silver Lake Road, Cary, IL 60013-9919 800/322-COIL Fax 847/639-1469
 email: info@coilcraft.com web: www.coilcraft.com

THROUGH HOLE FLYBACK TRANSFORMER: W7518-C FOR USE WITH MOTOROLA SEMICONDUCTOR MC33374 DC-DC CONVERTER

The Coilcraft W7518-C Flyback Transformer has been specifically designed for use in 90 W, 15 V power DC-DC converters, using Motorola Semiconductor MC33374 converter family.



Electrical Specifications:

Part Number	Inductance ¹ (± 10%)	Pins	DCR (Max)	Output	Input
W7518-C	290 μ H	9-6	.210 Ω	15 VDC	92-276 Vac
		5-1	.015 Ω	6.0 Amps	
		4-2	.015 Ω		
		10-7	.030 Ω		

Notes:

1. Inductance tested at 10 kHz, 0.1 Vrms on Pins 9-6.