

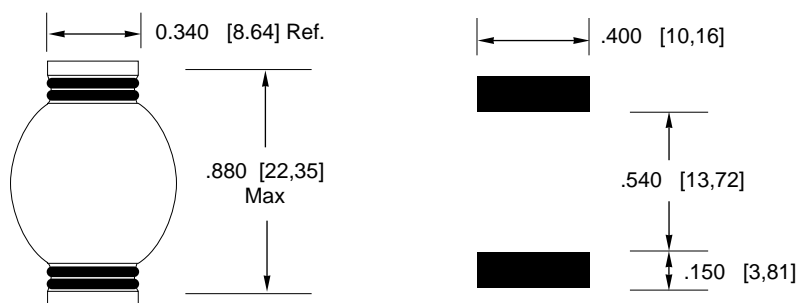
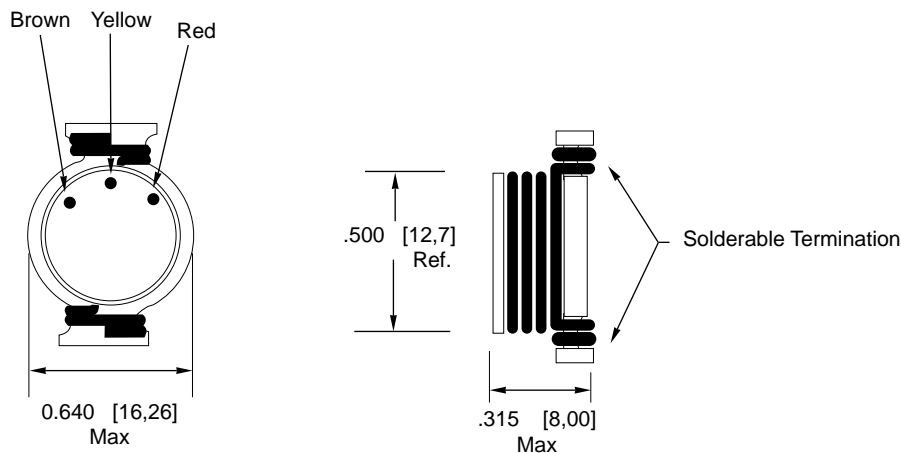


1102 Silver Lake Road, Cary, IL 60013-9919 800/322-COIL Fax 847/639-1469

# SURFACE MOUNT INDUCTOR: U6904-A

FOR USE WITH MOTOROLA SEMICONDUCTORS: MC33470 SYNCHRONOUS RECTIFICATION DC-DC CONVERTER IC, MMSF3300 POWER MOSFET AND MBRD1035CTL SCHOTTKY RECTIFIER

The Coilcraft U6904-A surface mount inductor has been specifically designed for use in high power DC-DC converters using the Motorola Semiconductors MC33470 Synchronous Rectification DC-DC converter programmable integrated controller, the MMSF3300 Power MOSFET and MBRD1035CTL Schottky Rectifier. The inductor has been optimized for maximum storage and low loss in the smallest footprint. Tape and reel packaging is available<sup>1</sup>.



Suggested Mounting Pads

## Electrical Values:

| Part Number | Inductance <sup>2</sup><br>(± 20%) | DCR<br>(Max) | Isat <sup>2</sup> | I <sub>rms</sub> <sup>4</sup> |
|-------------|------------------------------------|--------------|-------------------|-------------------------------|
| U6904-A     | 1.35μH                             | .004Ω        | 24A               | 15 Arms                       |

### Notes:

1. Tape/Reel Packaging to be 44 mm wide tape, 300 pcs per reel
2. Inductance tested at 100 kHz, .1 Vrms
3. Inductance drop = 10% typ. At rated Isat.
4. I<sub>rms</sub> current rating based on ΔT = 30°C rise typ