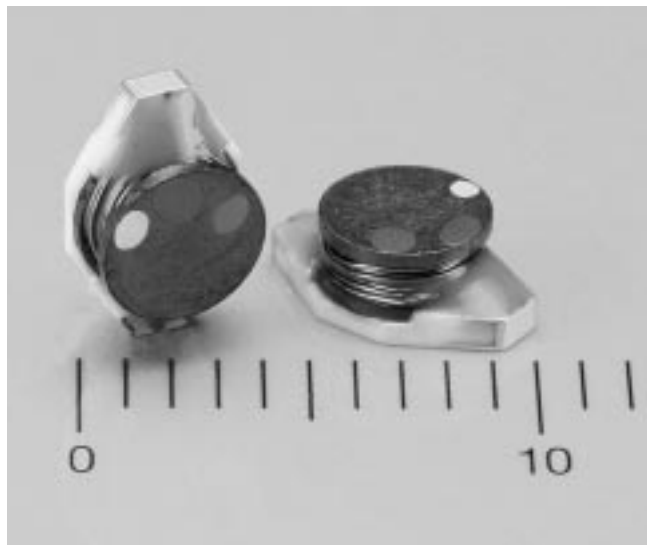


# SMT Power Inductors – DO1607 Series



These tiny, low-profile inductors are designed for PCMCIA Type II and other space-conscious applications. Only .098 (2,49) high, they have a footprint of .26 x .175 (6,6 x 4,5).

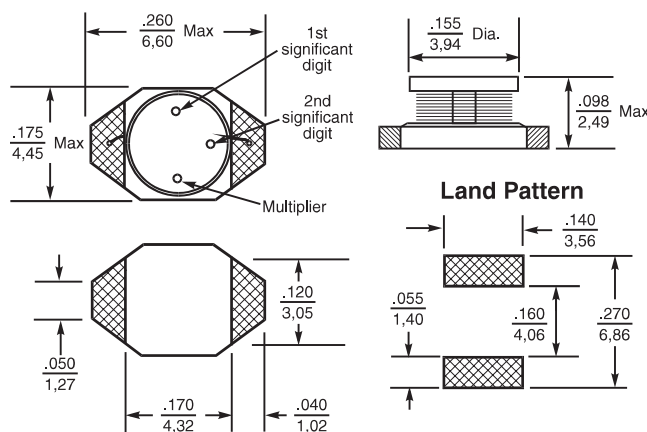
The DO1607 Series is ideal for DC-DC conversion in notebook computers, pagers, PDAs, flash memory programmers, and all types of battery powered equipment.

The inductors are constructed of high temp materials that provide excellent heat deflection to prevent damage during solder reflow. They are packaged on either 7" or 13" reels.

Standard inductance values range from 1 to 33  $\mu\text{H}$  and custom values are available to meet specific requirements.

Coilcraft **Designer's Kit C127** contains 3 samples each of the standard parts shown. To order, contact Coilcraft or visit <http://order.coilcraft.com>.

## PSPICE models SEE DOC 209



Parts/reel: 7" 750; 13" 2,500 Tape width: 12 mm  
For packaging data see "Tape and Reel Specifications" (Document 173)

Part Number	Inductance <sup>1</sup> ( $\mu\text{H} \pm 20\%$ )	DCR max. ( $\Omega$ )	SRF typ (MHz)	Isat <sup>2</sup> (A)	Irms <sup>3</sup> (A rms)
DO1607C-102	1.0	.090	180	2.3	2.7
DO1607C-152	1.5	.090	140	2.1	2.5
DO1607C-222	2.2	.100	125	1.8	2.1
DO1607C-332	3.3	.120	100	1.6	1.9
DO1607C-472	4.7	.130	80	1.2	1.8
DO1607C-682	6.8	.165	60	0.96	1.6
DO1607C-103	10	.190	50	0.88	1.5
DO1607C-153	15	.320	40	0.72	1.1
DO1607C-223	22	.540	30	0.56	1.0
DO1607C-333	33	.740	20	0.46	0.9

For environmental data see "Product Specifications" (Document 164)

1. Inductance tested at 100 kHz, 0.1 Vrms.
2. Inductance drop = 10% typ. at rated Isat.
3.  $\Delta T = 40^\circ\text{C}$  rise typ. at Irms.
4. Operating temperature range  $-40^\circ\text{C}$  to  $+85^\circ\text{C}$ .
5. Electrical specifications at  $25^\circ\text{C}$ .

# Coilcraft

Specifications subject to change without notice. Document 199 Revised 5/19/99

1102 Silver Lake Road Cary, Illinois 60013 Phone 847/639-6400 Fax 847/639-1469  
E-mail [info@coilcraft.com](mailto:info@coilcraft.com) Data by Fax 800/651-6974 Web <http://www.coilcraft.com>