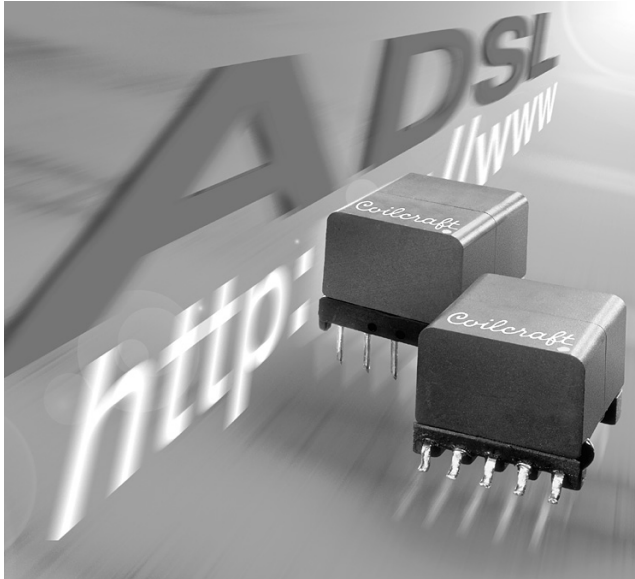


ADSL Transformers

For Analog Devices
chipsets



This product is not RoHS-compliant. Contact Coilcraft for current status or possible alternatives.

These transformers have been designed to provide optimum performance with various ADSL chip sets from Analog Devices.

They feature a compact size, minimum DC resistance and very low leakage inductance. Primary inductance is stable from -40°C to +85°C and the longitudinal balance is optimized for the best overall performance at the ADSL transmission speed. Most parts have been designed to meet UL 1950 requirements.

For free evaluation samples or to discuss custom designs, please contact Coilcraft.

SPECIFICATIONS

| Part number | Style | Chip set | Line side inductance (mH) | Leakage inductance max (µH) | DCR max (Ohms) | |
|-------------|-------|-----------------------|---------------------------|-----------------------------|-------------------------|-------------------------|
| | | | | | Chip side | Line side |
| AS7787-A | THT | AD20MSP910/918 CO/CPE | 5.0 ± 10% | 16 | 1.21 (10-8), 1.65 (9-7) | 1.42 (1-3, 2-4) |
| AS8456-A | SMT | AD20MSP910/918 CO/CPE | 5.0 ± 10% | 16 | 1.21 (10-8), 1.65 (9-7) | 1.42 (1-3, 2-4) |
| AS8923-A | THT | AD20MSP930 CO | 2.03 min | 7.5 | 0.60 (1-3, 2-4) | 0.60 (10-8), 0.60 (9-7) |
| AS8908-A | SMT | AD20MSP930 CO | 2.03 min | 7.5 | 0.60 (1-3, 2-4) | 0.60 (10-8), 0.60 (9-7) |
| AS8925-A | THT | AD20MSP930 CPE | 2.42 min | 7.5 | 0.55 (1-3, 2-4) | 0.58 (10-8), 0.58 (9-7) |
| AS8924-A | SMT | AD20MSP930 CPE | 2.42 min | 7.5 | 0.55 (1-3, 2-4) | 0.58 (10-8), 0.58 (9-7) |

| Part number | Dielectric strength (V) | Turns ratio line:chip | Capacitance max (pF) | Longitudinal balance min (dB) | THD @ 20 kHz typ (dB) | Designed to meet |
|-------------|-------------------------|-----------------------|----------------------|-------------------------------|-----------------------|------------------|
| AS7787-A | 1875 | 1:1 | 55 | 40 (20 kHz - 1.1 MHz) | -89 | UL 1459, 1950 |
| AS8456-A | 1875 | 1:1 | 55 | 40 (20 kHz - 1.1 MHz) | -89 | UL 1459, 1950 |
| AS8923-A | 2300 | 1.1:1 | | 40 (20 kHz - 1.1 MHz) | -85 | UL 1459, 1950 |
| AS8908-A | 2300 | 1.1:1 | | 40 (20 kHz - 1.1 MHz) | -85 | UL 1459, 1950 |
| AS8925-A | 2300 | 1.2:1 | | 40 (20 kHz - 1.1 MHz) | -85 | UL 1459, 1950 |
| AS8924-A | 2300 | 1.2:1 | | 40 (20 kHz - 1.1 MHz) | -85 | UL 1459, 1950 |

1. All electrical specifications referenced to line side.
2. Operating temperature range -40°C to +85°C.
3. Electrical specifications at 25°C.



www.coilcraft.com

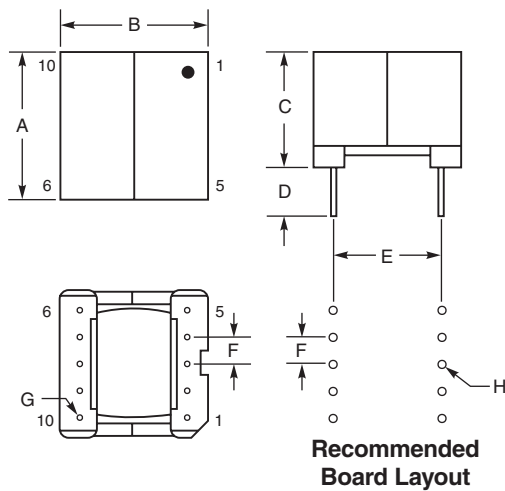
US +1-847-639-6400 sales@coilcraft.com
UK +44-1236-730595 sales@coilcraft-europe.com
Taiwan +886-2-2264 3646 sales@coilcraft.com.tw
China +86-21-6218 8074 sales@coilcraft.com.cn
Singapore + 65-6484 8412 sales@coilcraft.com.sg

Document 244-1 Revised 10/20/10

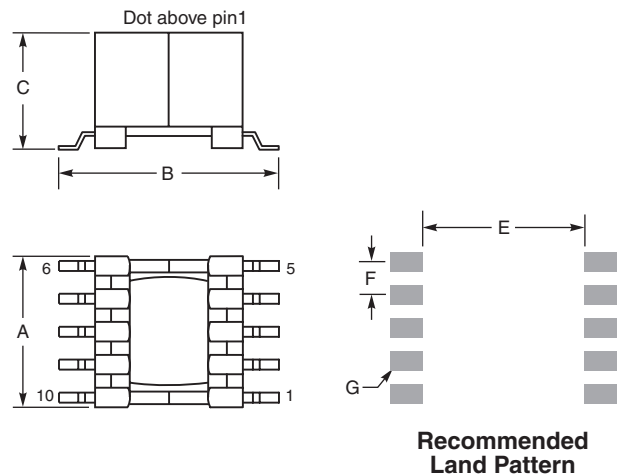
© Coilcraft Inc. 2013
 This product may not be used in medical or high risk applications without prior Coilcraft approval. Specification subject to change without notice. Please check web site for latest information.

ADSL Transformers for Analog Devices

AS7787-A, AS8923-A, AS8925-A



AS8456-A, AS8908-A, AS8924-A



| A max | B max | C max | D min | E | F typ | G dia | H dia |
|-------|-------|-------|-------|-------|-------|-------|-------|
| 0.550 | 0.550 | 0.500 | 0.100 | 0.400 | 0.100 | 0.013 | 0.032 |
| 13,97 | 13,97 | 12,70 | 2,54 | 10,16 | 2,54 | 0,33 | 0,82 |

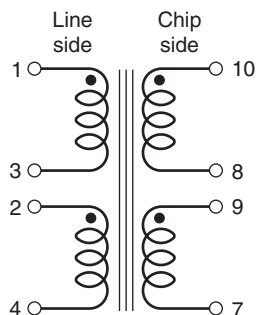
| A max | B max | C max | E | F typ | G typ |
|-------|-------|-------|-------|-------|---------------|
| 0.530 | 0.699 | 0.500 | 0.590 | 0.098 | 0.050 × 0.061 |
| 13,46 | 17,75 | 12,70 | 14,99 | 2,50 | 1,27 × 1,55 |

Packaging 50 parts per tray

Packaging
AS8908-A, AS8924-A: 100 parts per tray
AS8456-A: 175 per 13" reel. Plastic tape: 32 mm wide, 0.5 mm thick, 28 mm pocket spacing, 12.93 mm pocket depth

Schematics

AS7787-A, AS8456-A



AS8923-A, AS8908-A
 AS8925-A, AS8924-A

