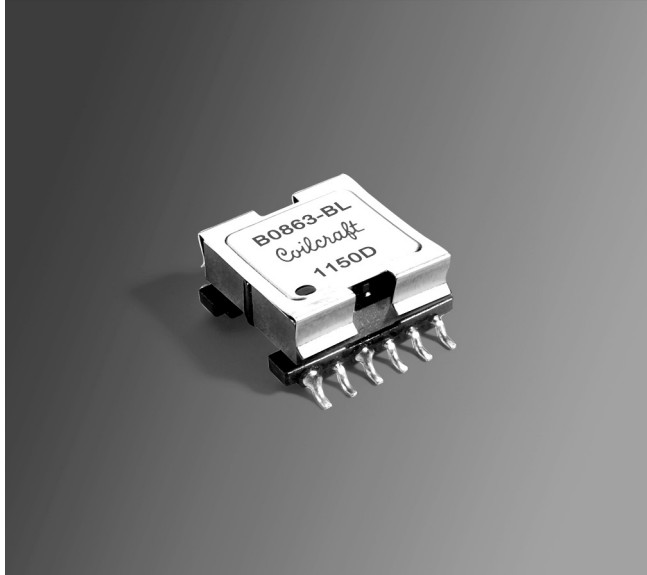




PoE Transformer

For Maxim MAX5941B
PoE Interface/PWM Controller



- Designed for forward topology
- Operates at 275 kHz, at a 50% duty cycle

Core material Ferrite

Terminations RoHS tin-silver over tin over nickel over phos bronze. Other terminations available at additional cost.

Weight 5.6 g

Ambient temperature -40°C to +85°C

Storage temperature Component: -40°C to +85°C.
Tape and reel packaging: -40°C to +80°C

Resistance to soldering heat Max three 40 second reflows at +260°C, parts cooled to room temperature between cycles

Moisture Sensitivity Level (MSL) 1 (unlimited floor life at <30°C / 85% relative humidity)

Failures in Time (FIT) / Mean Time Between Failures (MTBF)
38 per billion hours / 26,315,789 hours, calculated per Telcordia SR-332

Packaging 200 per 13" reel Plastic tape: 44 mm wide, 0.35 mm thick, 28 mm pocket spacing, 9.6 mm pocket depth

PCB washing Tested with pure water or alcohol only. For other solvents, see Doc787_PCB_Washing.pdf.

Part number ¹	Inductance ² min (µH)	DCR max ³ (Ohms)	Leakage inductance ⁴ max (µH)	Input voltage range (V)	Turns ratio ⁵	Isolation ⁶	Output ⁷
B0863-BL_	165	0.061 (pri) 1.10 (reset) 1.29 (bias) 0.020 (drive) 0.008 (sec)	0.75	28 – 60	pri:sec 1:0.29 pri:reset 1:1 pri:drive 1:0.24 pri:bias 1:1.3	1500 Vrms	3.3 V, 4 A

1. When ordering, please specify a **packaging** code:

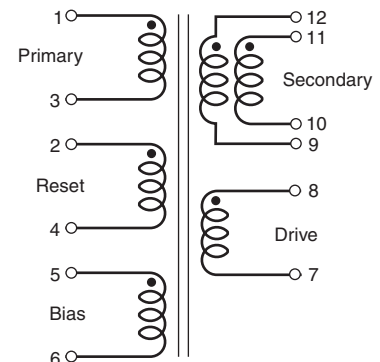
B0863-BLD

Packaging: **D** = 13" machine ready reel. EIA-481 embossed plastic tape (200 per full reel).

B = Less than full reel. In tape, but not machine ready. To have a leader and trailer added (\$25 charge), use code letter D instead.

- Inductance is for the primary, measured at 10 kHz, 0.1 Vrms, 0 Adc.
- DCR for the secondary is measured with the windings connected in parallel.
- Leakage inductance is for the primary and is measured with all other windings shorted.
- Turns ratio is with the secondary windings connected in parallel.
- Isolation is measured from the primary, reset and bias windings to the secondary and drive windings.
- Output is with the secondary windings connected in parallel.
- Electrical specifications at 25°C.

Refer to Doc 362 "Soldering Surface Mount Components" before soldering.



Secondary windings to be connected in parallel on PC board.



www.coilcraft.com

US +1-847-639-6400 sales@coilcraft.com
UK +44-1236-730595 sales@coilcraft-europe.com
Taiwan +886-2-2264 3646 sales@coilcraft.com.tw
China +86-21-6218 8074 sales@coilcraft.com.cn
Singapore + 65-6484 8412 sales@coilcraft.com.sg

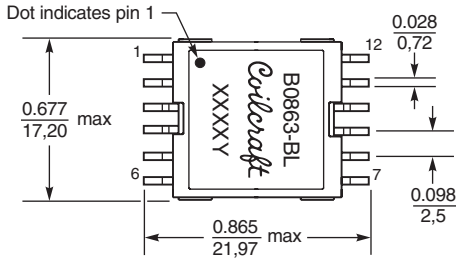
Document 379-1 Revised 05/18/12

© Coilcraft Inc. 2013

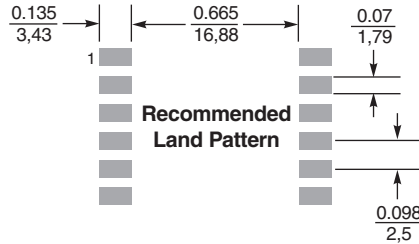
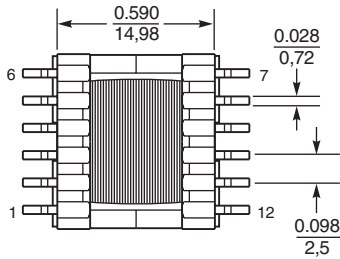
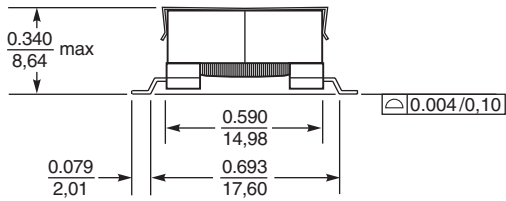
This product may not be used in medical or high risk applications without prior Coilcraft approval. Specification subject to change without notice. Please check web site for latest information.



PoE Transformer for Maxim MAX5941B



Parts manufactured prior to December 2011 may be marked differently.



Dimensions are in $\frac{\text{inches}}{\text{mm}}$



US +1-847-639-6400 sales@coilcraft.com
UK +44-1236-730595 sales@coilcraft-europe.com
Taiwan +886-2-2264 3646 sales@coilcraft.com.tw
China +86-21-6218 8074 sales@coilcraft.com.cn
Singapore + 65-6484 8412 sales@coilcraft.com.sg

Document 379-2 Revised 12/20/11

© Coilcraft Inc. 2013

This product may not be used in medical or high risk applications without prior Coilcraft approval. Specification subject to change without notice. Please check web site for latest information.