

For DALI applications using
International Rectifier IR21592
and STMicroelectronics L6561D

Magnetics for IR Dimming Ballast IC

These transformers have been specially engineered for International Rectifier's IRPLDIM2 Digitally Addressable DALI Dimming Ballast reference design.

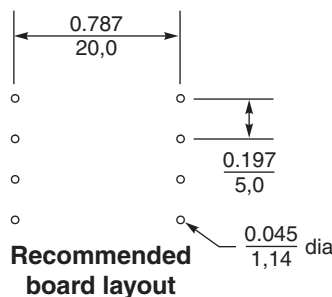
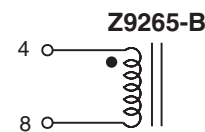
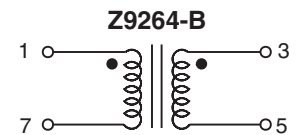
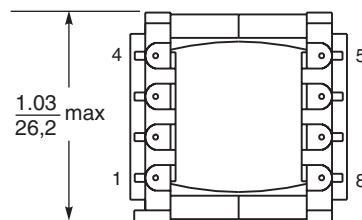
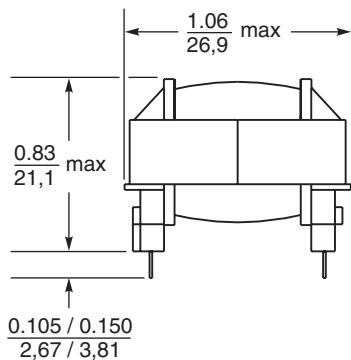
The Z9265-B (L3) is optimized for International Rectifier's IR21592 HVIC ballast controller IC while the Z9264-B

(L2) is designed for use with the STMicroelectronics PFC L6561D.

Free evaluation samples are available by contacting Coilcraft.

Application	Part number	Inductance ¹ ±10%(mH)	DCR max (Ohms)	Isolation pri : sec (Vrms)	Turns ratio pri : sec
PFC inductor (L2)	Z9264-B	2.0	1.45 (1-7) 0.230 (3-5)	500 (1-3)	1:0.10
Inductor (L3)	Z9265-B	2.0	1.57 (4-8)	N/A	N/A

1. Inductance tested 50 kHz, 1.0 Vrms, 0 Adc.
2. Ambient temperature range -40°C to +85°C.
3. Electrical specifications at 25°C.



Weight: 28.3 – 28.7 g

Packaging: 30 parts per tray



www.coilcraft.com

US +1-847-639-6400 sales@coilcraft.com
UK +44-1236-730595 sales@coilcraft-europe.com
Taiwan +886-2-2264 3646 sales@coilcraft.com.tw
China +86-21-6218 8074 sales@coilcraft.com.cn
Singapore + 65-6484 8412 sales@coilcraft.com.sg

Document 270 Revised 07/19/06

© Coilcraft Inc. 2013

This product may not be used in medical or high risk applications without prior Coilcraft approval. Specification subject to change without notice. Please check web site for latest information.