

Power Choke – L0451-AL

For ON Semiconductor
MC33163 & MC34163



The L0451-AL is specified by ON Semiconductor for use with their MC33163 and MC34163 power switching regulators. This choke features a 10% inductance tolerance and 100 Vrms isolation from winding to core.

Request free evaluation samples by contacting Coilcraft or visiting www.coilcraft.com.

Core material Ferrite

Terminations RoHS tin-silver over copper

Weight 49 g

Ambient temperature –40°C to +85°C

Storage temperature Component: –40°C to +85°C.

Tray packaging: –40°C to +80°C

Moisture Sensitivity Level (MSL) 1 (unlimited floor life at <30°C / 85% relative humidity)

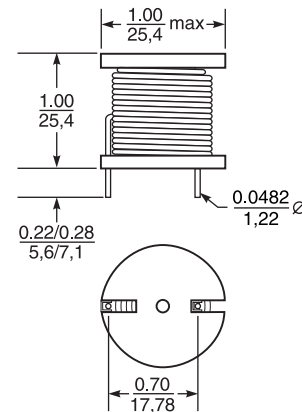
Packaging 49 parts per tray

PCB washing Tested with pure water or alcohol only. For other solvents, see Doc787_PCB_Washing.pdf

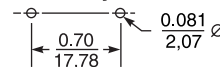
Part number	Inductance $\pm 10\%$ ¹ (μH)	DCR max (Ohms)	SRF typ ² (MHz)	Isat ³ (A)	Irms ⁴ (A)
L0451-AL	180	0.052	3.2	14	7

- Inductance measured at 1 kHz, 0.1 Vrms, 0 Adc using an Agilent/HP 4192A impedance analyzer.
- SRF measured on an Agilent/HP 8753D network analyzer.
- DC current at which the inductance drops 10% (typ) from its value without current.
- Current that causes a 40°C rise from 25°C ambient.
- Electrical specifications at 25°C.

Refer to Doc 362 "Soldering Surface Mount Components" before soldering.



Recommended Board Layout



Dimensions are in $\frac{\text{inches}}{\text{mm}}$