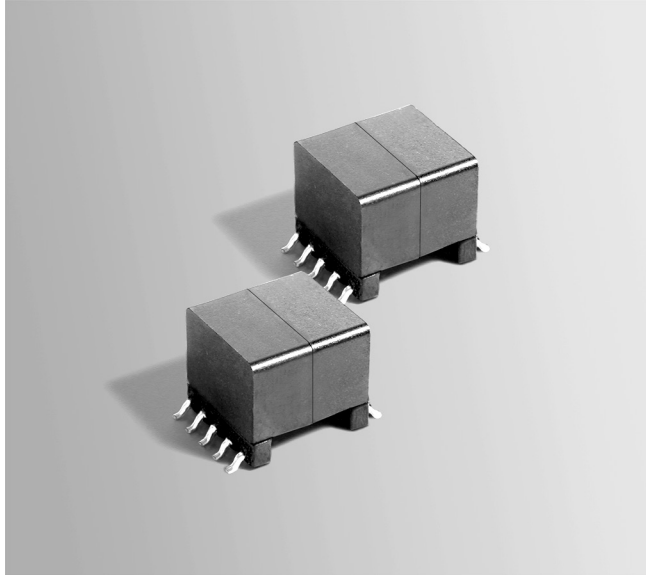




# Flyback Transformer

For TI LM5071 & LM5072 PD Controllers



- Dual-output flyback transformer for Power over Ethernet
- Operates in continuous mode at 250 kHz with 14 – 60 V input
- 2000 Vrms isolation from primary and auxiliary to secondaries

**Core material** Ferrite

**Terminations** RoHS compliant tin-silver over tin over nickel over phos bronze. Other terminations available at additional cost.

**Weight** 6.35 g

**Ambient temperature** -40°C to +85°C

**Storage temperature** Component: -40°C to +85°C.

Tape and reel packaging: -40°C to +80°C

**Resistance to soldering heat** Max three 40 second reflows at +260°C, parts cooled to room temperature between cycles

**Moisture Sensitivity Level (MSL)** 1 (unlimited floor life at <30°C / 85% relative humidity)

**Packaging** 175 per 13" reel. Plastic tape: 32 mm wide, 0.5 mm thick, 28 mm pocket spacing, 12.93 mm pocket depth

**PCB washing** Tested to MIL-STD-202 Method 215 plus an additional aqueous wash. See [Doc787\\_PCB\\_Washing.pdf](#).

Part number <sup>1</sup>	L at 0 A <sup>2</sup> ±10% (µH)	L at Ipk <sup>3</sup> min (µH)	DCR max (Ohms)	Leakage L <sup>4</sup> max (µH)	Turns ratios	Ipk <sup>3</sup> (A)	Outputs
DA2257-AL_	35.0	30.0	0.225 (aux) 0.138 (gate) 0.010 (sec 1) 0.018 (sec 2) 0.062 (pri)	0.95	2:1 (pri:aux) 3.6:1 (pri:gate) 6:1 (pri:sec1) 3.6:1 (pri:sec2)	2.7	10 V, 0.05 A (aux) 5.5 V, 0.05 A (gate) 3.3 V, 2.0 A (sec 1) 5.0 V, 1.0 A (sec 2)

1. When ordering, please specify **packaging** code:

**DA2257-ALD**

**Packaging:** D = 13" machine-ready reel. EIA-481 embossed plastic tape (175 parts per full reel). Quantities less than full reel available: in tape (not machine ready) or with leader and trailer (\$25 charge).

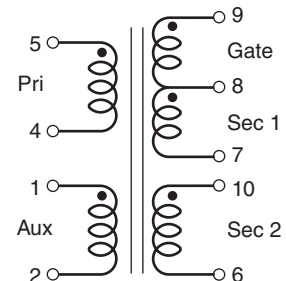
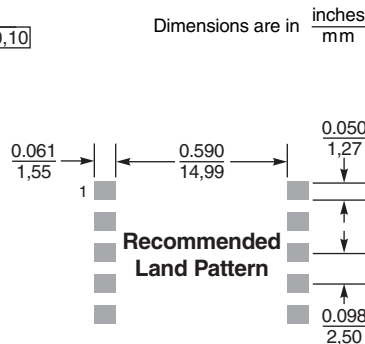
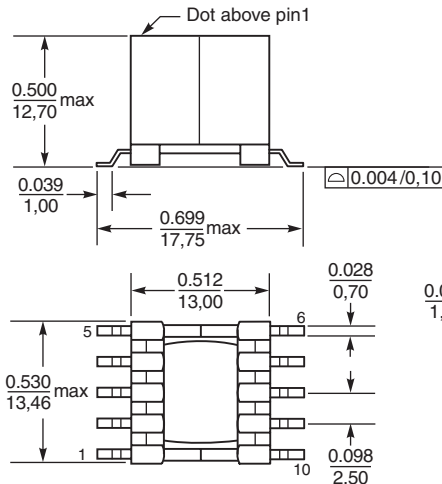
B = Less than full reel. In an effort to simplify our part numbering system, Coilcraft is eliminating the need for multiple packaging codes. When ordering, simply change the last letter of your part number from B to D.

2. Inductance is for the primary, measured at 250 kHz, 0.2 Vrms, 0 Adc.

3. Ipk is peak primary current drawn at minimum input voltage.

4. Leakage inductance is for the primary winding with all other pins shorted.

5. Electrical specifications at 25°C.



**US** +1-847-639-6400 sales@coilcraft.com  
**UK** +44-1236-730595 sales@coilcraft-europe.com  
**Taiwan** +886-2-2264 3646 sales@coilcraft.com.tw  
**China** +86-21-6218 8074 sales@coilcraft.com.cn  
**Singapore** + 65-6484 8412 sales@coilcraft.com.sg

Document 509 Revised 12/13/21

© Coilcraft Inc. 2021

This product may not be used in medical or high risk applications without prior Coilcraft approval. Specification subject to change without notice. Please check web site for latest information.