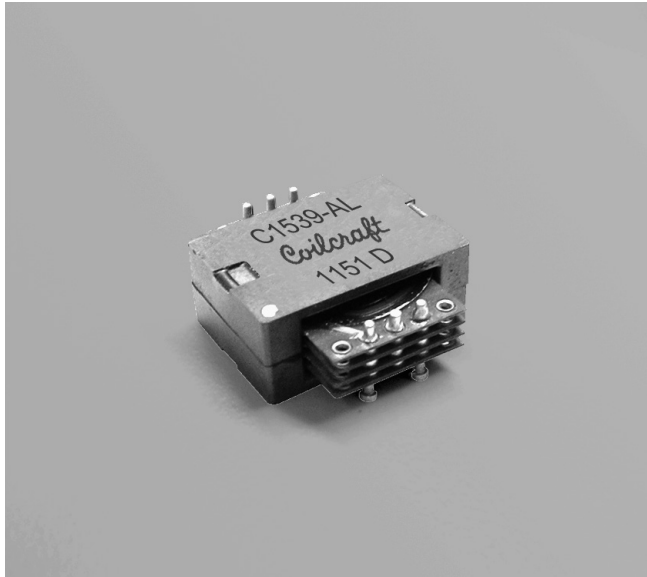


Planar Transformer

For National Semiconductor
LM5032 PWM Controller



- Developed for the NSC LM5032 dual interleaved current mode PWM controller for applications up to 100 Watts.
- Can be used in a dual forward converter or in both interleaved power stages of a high-current converter.
- Low leakage inductance, excellent DCR
- Interwinding isolation: 1500 Vdc.

Core material Ferrite

Terminations RoHS Matte tin over nickel over brass

Weight 10.2 g

Ambient temperature -40°C to $+85^{\circ}\text{C}$

Storage temperature Component: -40°C to $+85^{\circ}\text{C}$.

Tape and reel packaging: -40°C to $+80^{\circ}\text{C}$

Resistance to soldering heat Max three 40 second reflows at $+260^{\circ}\text{C}$, parts cooled to room temperature between cycles

Moisture Sensitivity Level (MSL) 1 (unlimited floor life at $<30^{\circ}\text{C}$ / 85% relative humidity)

Packaging 200 per 13" reel Plastic tape: 44 mm wide, 0.37 mm thick, 32 mm pocket spacing, 9.35 mm pocket depth

PCB washing Only pure water or alcohol recommended

Part number ¹	Output power (W)	Output voltage nom (V)	Output current (A rms)	Primary inductance ² min (μH)	Leakage inductance ³ max (μH)	DCR max (mOhms)	Turns ratio pri : sec	Pri/sec Isolation (Vdc)
C1539-AL_	100	12	8.33	320.0	0.25	pri: 63.0 sec: 15.0	2 : 1	1500

1. When ordering, please specify a **packaging** code:

C1539-ALD

Packaging: D = 13" machine ready reel. EIA-481 embossed plastic tape (200 per full reel). Quantities less than full reel available: in tape (not machine ready) or with leader and trailer (\$25 charge).

B = Less than full reel. In an effort to simplify our part numbering system, Coilcraft is eliminating the need for multiple packaging codes. When ordering, simply change the last letter of your part number from B to D.

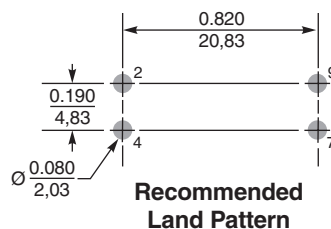
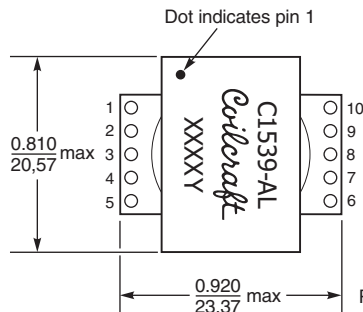
2. Inductance measured on an Agilent/HP 4284 between pins 2 and 4 at 250 kHz, 0.1 Vrms, 0 Adc.

3. Leakage inductance measured between pins 2 and 4 at 100 kHz, 0.1 Vrms, 0 Adc with pins 7 and 9 shorted.

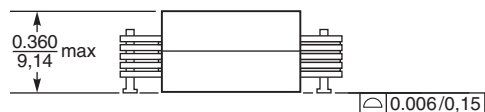
4. Storage and ambient operating temperature range: -40°C to $+85^{\circ}\text{C}$.

5. Electrical specifications at 25°C .

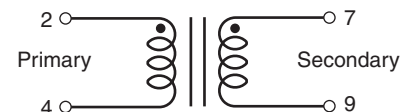
Refer to Doc 362 "Soldering Surface Mount Components" before soldering.



Parts manufactured prior to December 2011 may be marked differently.



Dimensions are in $\frac{\text{inches}}{\text{mm}}$



Coilcraft
www.coilcraft.com

US +1-847-639-6400 sales@coilcraft.com
UK +44-1236-730595 sales@coilcraft-europe.com
Taiwan +886-2-2264 3646 sales@coilcraft.com.tw
China +86-21-6218 8074 sales@coilcraft.com.cn
Singapore + 65-6484 8412 sales@coilcraft.com.sg

Document 465 Revised 07/23/21

© Coilcraft Inc. 2021

This product may not be used in medical or high risk applications without prior Coilcraft approval. Specification subject to change without notice. Please check web site for latest information.