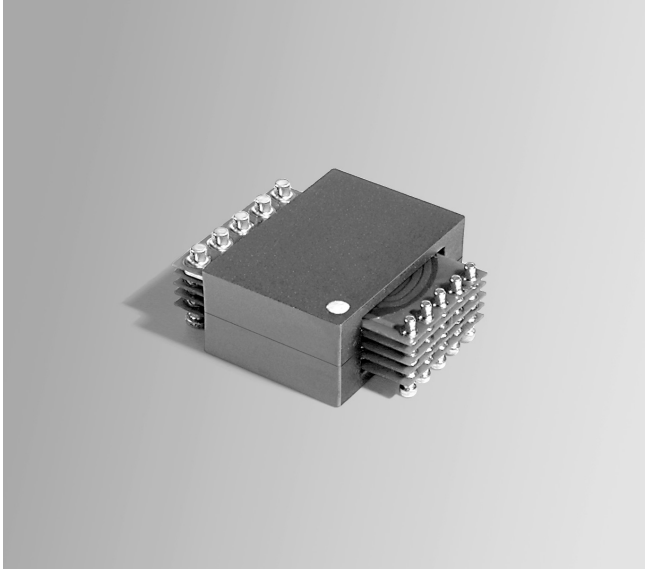




# Planar Transformer

For Maxim MAX5069A PWM Controller



The B0860-C is approved by Maxim for use with their MAX5069A high-frequency, current-mode, pulse-width modulation (PWM) controller.

This planar transformer can be used in push-pull, half-bridge and full-bridge topologies. It is ideal for use in high-current, isolated or nonisolated power supply applications. It offers high efficiency in a low-profile package and features split primary and secondary windings, a separate auxiliary winding and 1500 Vdc primary to secondary isolation.

Coilcraft's **Planar Prototyping Kit C356** was used to design this transformer. No tooling or additional parts were required. To order the kit, contact Coilcraft or purchase on-line at <http://order.coilcraft.com>.

Free evaluation samples of B0860-C are available by contacting Coilcraft or by visiting [www.coilcraft.com](http://www.coilcraft.com).

Part number <sup>1</sup>	Output power (W)	Input voltage range (V)	Output voltage nom (V)	Output current (A peak)	Primary inductance <sup>2</sup> min (µH)	Leakage inductance <sup>3</sup> max (µH)	DCR max (mOhms)	Turns ratio <sup>4</sup>	
								pri:sec	pri:aux
B0860-CL_	180	36 – 72	12	15	187.0	0.25	Pri: 38.0 Sec: 4.0 Aux: 120.0	10:4	10:3

1. When ordering, specify a **packaging** code:

**B0860-CLD**

**Packaging:** D = 13" machine ready reel. EIA-481 embossed plastic tape (200per full reel). Quantities less than full reel available: in tape (not machine ready) or with leader and trailer (\$25 charge).

B = Less than full reel. In an effort to simplify our part numbering system, Coilcraft is eliminating the need for multiple packaging codes. When ordering, simply change the last letter of your part number from B to D.

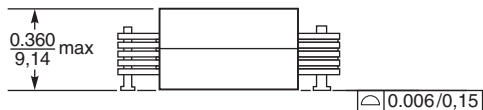
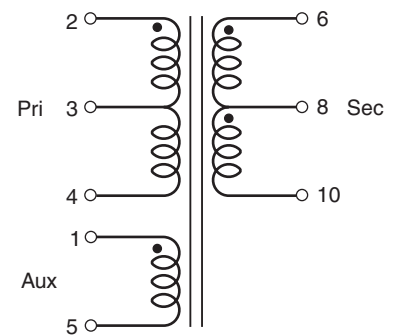
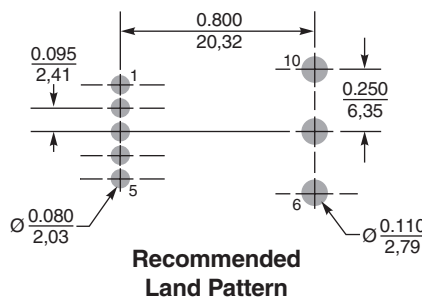
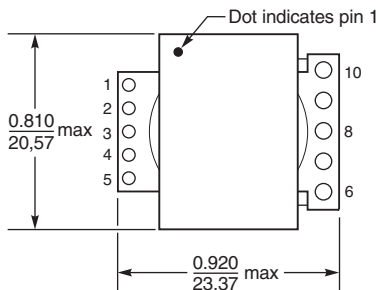
2. Inductance measured on an Agilent/HP 4284 between pins 2 and 4 at 250 kHz, 0.1 Vrms, 0 Adc.

3. Leakage inductance measured between pins 2 and 4 at 250 kHz, 0.1 Vrms, 0 Adc with pins 6, 8 and 10 shorted.

4. Turns ratio is with the primary windings and secondary windings connected in series.

5. Storage and ambient operating temperature range: -40°C to +85°C.

6. Electrical specifications at 25°C.



**Weight:** 11.8 g  
**Terminations:** Matte tin over nickel over brass  
**Tape and reel:** 200/13" reel 44 mm tape width



**US** +1-847-639-6400 sales@coilcraft.com  
**UK** +44-1236-730595 sales@coilcraft-europe.com  
**Taiwan** +886-2-2264 3646 sales@coilcraft.com.tw  
**China** +86-21-6218 8074 sales@coilcraft.com.cn  
**Singapore** + 65-6484 8412 sales@coilcraft.com.sg

Document 426 Revised 05/10/07

© Coilcraft Inc. 2021

This product may not be used in medical or high risk applications without prior Coilcraft approval. Specification subject to change without notice. Please check web site for latest information.